

# PARTS LIST

[ MX-J200 ]

\* All printed circuit boards and its assemblies are not available as service parts.

Area suffix	
UP -----	Korea
US -----	Singapore
UT -----	Taiwan
UY -----	Argentina
U -----	Other Areas

- Contents -

Exploded view of general assembly and parts list .....	3-2
CD mechanism assembly and parts list .....	3-5
CD changer mechanism assembly and parts list .....	3-6
Cassette mechanism assembly and parts list .....	3-9
Electrical parts list .....	3-10
Packing materials and accessories parts list .....	3-22

## ■ Parts list (General assembly)

Block No. M1MM

△	Item	Parts number	Parts name	Q'ty	Description	Area
	1	-----	MAIN BOARD	1		
	2	GJ342020150913	JACK SPK 4PINS	1	J303	
	3	GJ342030140109	JACK RCA 4PINS	1	J301	
	4	GJ342040140109	HP JACK	1	J302	
	5	GJ780000180100	HEAT SINK	1		
	6	GJ780000220100	HEAT SINK	1		
	7	GJ780000170100	HEAT SINK	1		
	8	GJ560170040101	BRACKET PCB	1		
	9	GJ560170200101	BRACKET H.SINK	1		
	10	GJ560400240101	SHIELD PLATE	1		
	11	GJ560170110101	BRACKET B	1		
	12	GJ702244301012	SCREW TT3X10	5	JACK	
	13	GJ702244301412	SCREW TT3X14	1	IC/HEAT SINK	
	14	GJ702244301812	SCREW TT3X18	2	IC/HEAT SINK	
	15	GJ702244300812	SCREW TT3X8	2	TR./HEAT SINK	
	16	-----	DISPLAY BOARD	1		
	17	BJ753GN	FL DISPLAY	1	FL701	
	18	GJ793000060001	SPONGY	2		
	19	GJ560400040101	BRACKET DISPLAY	1		
	20	GJ560450020101	BRACKET PCB(L)	1		
	21	GJ560450010101	BRACKET PCB(R)	1		
	22	GJ702244300612	SCREW TT3X6	2	PCB/BKT	
	23	GJ702244300812	SCREW TT3X8	2	BKT/CABINET	
	24	-----	MULTI-CONTROL BOARD	1		
	25	GJ460450040101	KNOB MODE(TAPE/AUX)	1		
	26	GJ460450050101	KNOB MODE(CD/AM/FM)	1		
	27	GJ460450030101	KNOB CONTROL	1		
	28	GJ460450060101	INDICATOR MODE	1	(UPPER LEFT)	
	29	GJ460450070101	INDICATOR MODE	1	(LOWER LEFT)	
	30	GJ460450080101	INDICATOR MODE	1	(UPPER RIGHT)	
	31	GJ460450090101	INDICATOR MODE	1	(LOWER RIGHT)	
	32	GJ460450100101	HOLDER LED(UPPER LEFT)	1		
	33	GJ460450110101	HOLDER LED(LOWER LEFT)	1		
	34	GJ460450120101	HOLDER LED(UPPER RIGHT)	1		
	35	GJ460450130101	HOLDER LED(LOWER RIGHT)	1		
	36	GJ702244260812	SCREW TT2.6X8	10	PCB/PANEL	
	37	-----	POWER SW.BOARD	1		
	38	GJ460400070102	KNOB POWER	1		
	39	GJ460400050101	INDICATOR POWER	1		
	40	GJ702244260812	SCREW TT2.6X8	3	PCB/PANEL	
	41	-----	EJECT SW.BOARD	1		
	42	GJ460400060101	KNOB CD EJECT	1		
	43	GJ702244260812	SCREW TT2.6X8	4	PCB/PANEL	
	44	-----	VOLUME BOARD	1		
	45	GJ299000570003	VR ENCODER	1	SW101	
	46	-----	NUT M9	1		
	47	-----	WASHER	1		
	48	GJ460400090101	KNOB VOLUME	1		

■ Parts list(General assembly)

Block No. M1MM

△	Item	Parts number	Parts name	Q'ty	Description	Area
	49	-----	CASSETTE AMPLIFIER BOARD	1		
	50	-----	CASSETTE MECHANISM	1		
	51	GJ702244300612	SCREW TT3X6	4	CASS PCB MTG	
	52	GJ702244300812	SCREW TT3X8	6	DECK/PANEL	
△	53	GJ350872052112	AC-POWER CORD	1		UY
△		GJ350912052112	AC-POWER CORD	1		UP
△		QMPK150-200-JD	AC-POWER CORD	1		U,US
△		QMP7380-200	AC-POWER CORD	1		UT
△	54	GJ336660130013	POWER TRANS.	1	T951	
	55	-----	POWER TRANS.BOARD	1		
	56	GJ560400070101	SHIELD TRANS.	1		
	57	GJ702264400612	SCREW TT4X6	6	X'FORMER	
	58	GJ732000010101	CABLE TIE	1		
△	59	GJ796000030000	CORD BUSHING	1		
	60	-----	CD CHANGER MECH	1	ANISM	
	61	GJ560400020101	BRACKET CHANGER	1		
	62	GJ702244301012	SCREW TT3X10	4	STAY BRACKET	
	63	GJ702244300812	SCREW TT3X8	2	STAY B./CHANGER	
	64	GJ702244300612	SCREW TT3X6	1	PCB/CHANGER	
	65	GJ460170340101	DISC STOP BKT	1		
	66	GJ702244300612	SCREW TT3X6	1	DISC STOP	
	67	GJ460400010101	CD TRAY COVER(A)	1		
	68	GJ460400020101	CD TRAY COVER(B)	1		
	69	GJ460400030101	CD TRAY COVER(C)	1		
	70	GJ460170280101	HEAT SINK COVER	1		
	71	GJ460450010201	CABINET FRONT	1		
	72	GJ460170330101	LOGO JVC	1		
	73	GJ460400080102	LENS DISPLAY	1		
	74	GJ702244300612	SCREW TT3X6	2	H.SINK/B./BOTTOM	
	75	GJ702244300612	SCREW TT3X6	3	HEAT/REAR	
	76	GJ702244300612	SCREW TT3X6	2	TOP/REAR/BOTTOM	
	77	GJ702244300612	SCREW TT3X6	1	REAR/BOTTOM	
	78	GJ702244300612	SCREW TT3X6	4	TOP/REAR CASE	
	79	GJ702244300612	SCREW TT3X6	1	PCB BKT/REAR	
	80	GJ702244300612	SCREW TT3X6	1	BOTTOM CASE/PCB	
	81	GJ702244300652	SCREW TT3X6	2	TOP/BOTTOM CASE	
	82	GJ702244300812	SCREW TT3X8	2	HEAT SINK COVER	
	83	GJ702244300812	SCREW TT3X8	2	CHANGER/REAR	
	84	GJ702244300812	SCREW TT3X8	1	H.SINK B./REAR	
	85	GJ370339701	CLAMP	1		
	86	GJ702244300612	SCREW TT3X6	1	WIRE CLAMP	
	87	560400030101/S/	CASE TOP	1		
	88	GJ560170090201	CASE BOTTOM	1		
	89	GJ560400050215	CASE REAR	1		UP
		GJ560400050416	CASE REAR	1		U,US,UY
		GJ560400050417	CASE REAR	1		UT
	90	GJ763000320106	FELT SHEET	4		
	91	GJ711001600100	SPRING CASS DOOR L	1		

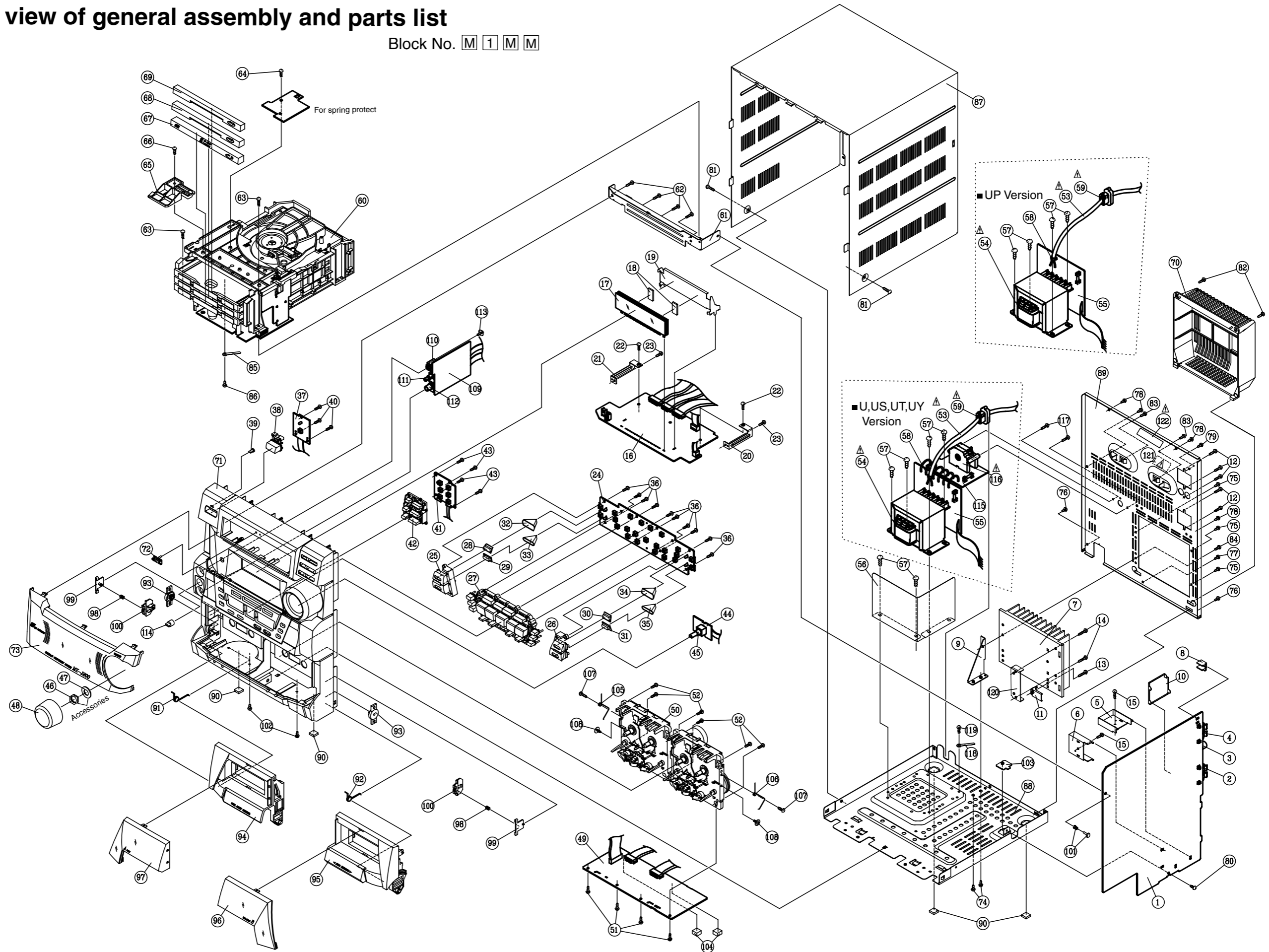
■ Parts list(General assembly)

Block No. M1MM

△	Item	Parts number	Parts name	Q'ty	Description	Area
	92	GJ711001610100	SPRING CASS DOOR R	1		
	93	GJ751000030101	DAMPER GEAR	2		
	94	GJ460400210101	DOOR CASS L	1		
	95	GJ460400220101	DOOR CASS R	1		
	96	GJ460400230101	LENS CASS R	1		
	97	GJ460400240101	LENS CASS L	1		
	98	GJ422253701	SPRING(LOCK)COMPRESSION	2		
	99	GJ460400250101	HOLDER DOOR LOCKER	2		
	100	GJ422250501	HOLDER LOCK	2		
	101	GJ421038001	RIVET/SNAP	1		
	102	GJ702244300612	SCREW TT3X6	2	FRONT C./BOTTOM	
	103	GJ560170290101	BRACKET OPENING	1		
	104	GJ782010070100	RUBBER SHEET	2		
	105	GJ711001790100	EJECT SPRING L	1		
	106	GJ711001800100	EJECT SPRING R	1		
	107	GJ702244300612	SCREW TT3X6	2	EJECT SPRWG	
	108	GJ703300802002	SCREW SPTT3X8	2	DECK	
	109	-----	H.PHONE&MIC BOARD	1		
	110	GJ342010160111	PHONE JACK	1	J850	
	111	GJ342010170109	JACK	1	JA851	
	112	GJ299000510002	VR 10K-A	1	VR840	
	113	GJ703300800202	SCREW SPTT3X8	1	JACK/PANEL	
	114	GJ460170140101	KNOB MIC	1		
	115	-----	AC SELECTOR BOARD	1		
△	116	GJ390180043221	SW.VOLTAGE SELECTOR	1	S999	
	117	GJ702244301012	SCREW TT3X10	2	V.SELECT/SW.	U,US,UT,UY
	118	GJ727450540503	CLAMP	1		
	119	GJ702244300612	SCREW TT3X6	1	CLAMP/BOTTOM	
	120	GJ560400060201	BRACKET IC	1		
△	121	GJ772001610202	LABEL CLASS1	1		
△	122	GJ772001620101	LABEL LASER CAUTION	1		

# Exploded view of general assembly and parts list

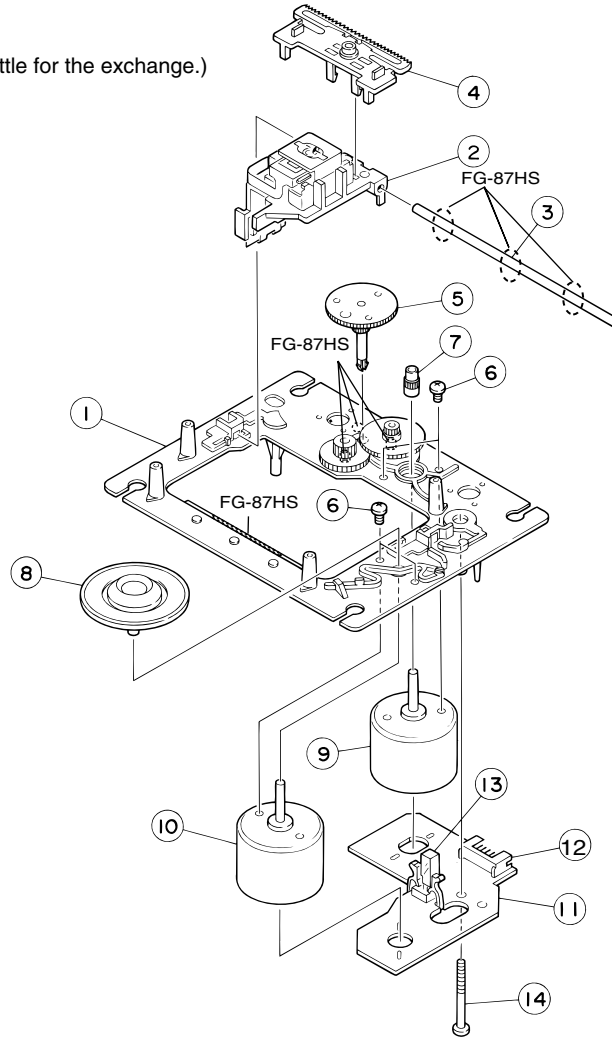
Block No. **M 1 M M**



# CD mechanism assembly and parts list

Block No. M 2 M M

Grease Point  
 FG-87HS  
 (Grease to apply have to be a little for the exchange.)



EXL-M7TMB  
 EXL-M7MB

## Parts list ( CD mechanism )

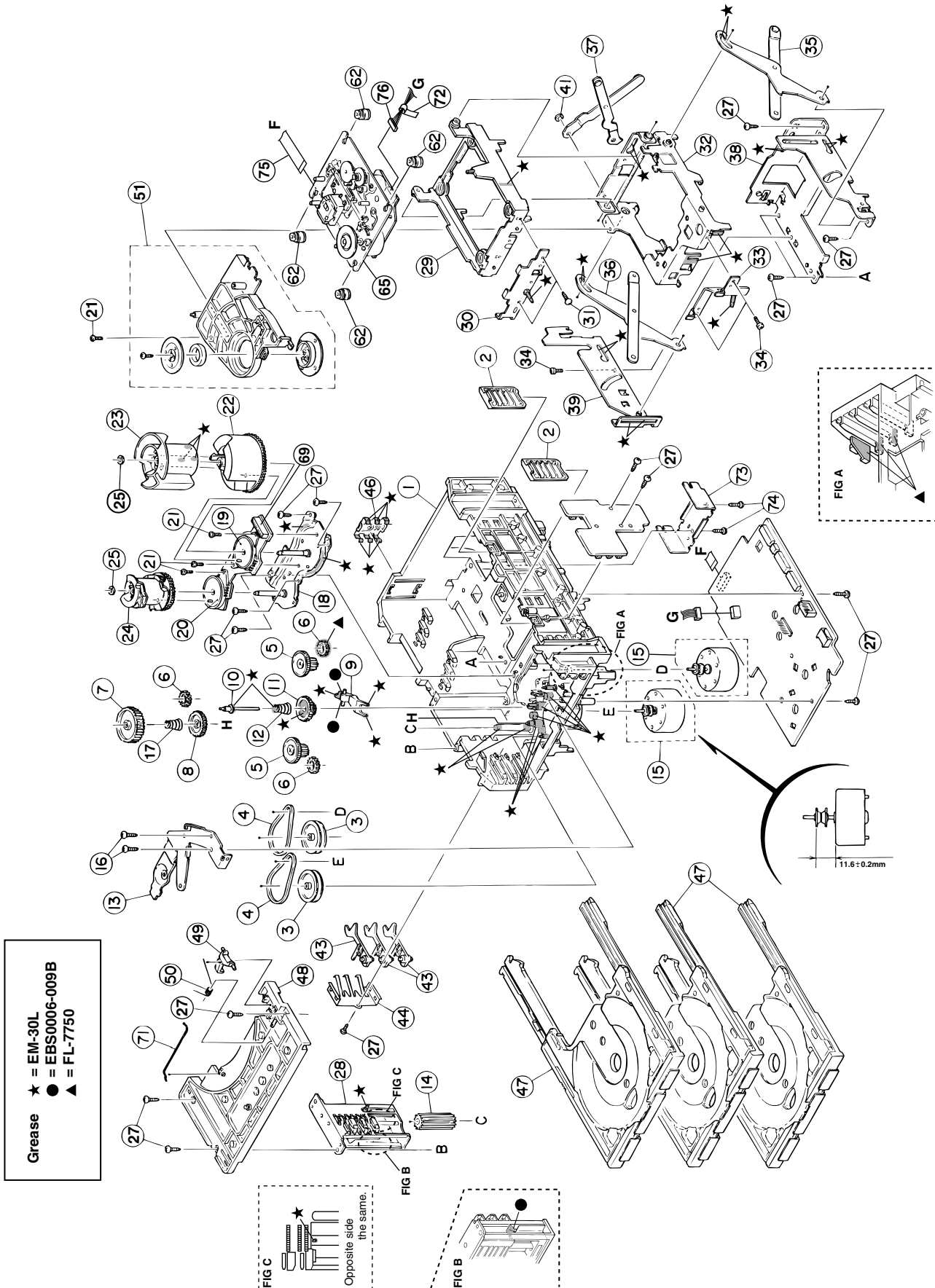
Block No. M2MM

Item	Parts number	Parts name	Q'ty	Description	Area
1	E102731-221SM	MECHA BASE	1		
2	OPTIMA-7B	OPTICAL PICK UP	1		
3	E406777-002SM	CD SHAFT	1		
4	LV31002-001A	CD RACK	1		
5	E307745-441SM	MECHA GEAR	1		
6	QYSDSP2003N	SCREW	4		
7	E406750-442SM	PINION GEAR	1		
8	EPB-001PK	TURN TABLE	1	SINGLE CD	
	EPB309173PKA	TURN TABLE	1	CHANGER CD	
9	E406784-001	FEED MOTOR	1		
10	QAR0130-001	SPINDLE MOTOR	1		
11	EMW10190-441	P.C.BOARD	1		
12	QGA2001F1-06	6P PLUG ASSY	1		
13	QSW0506-001	LEAF SWITCH	1		
14	E75832-221SS	SPECIAL SCREW	1		

# CD changer mechanism assembly and parts list

VC3-21M

Block No. M 3 M M



## ■ Parts list(CD changer mechanism)

Block No. M3MM

△	Item	Parts number	Parts name	Q'ty	Description	Area
	1	VKS1144-003	CHASSIS	1		
	2	VKS3698-003	TRAY GUIDE	2		
	3	VKS5532-003	PULLEY GEAR	2		
	4	VKB3000-164	BELT	2		
	5	VKS5505-003	GEAR B	2		
	6	VKS5506-002	GEAR C	3		
	7	VKS5507-002	CROSS GEAR U	1		
	8	VKS5508-002	CROSS GEAR L	1		
	9	VKS5510-003	SELECT LEVER	1		
	10	VKH5769-001	S.G.SHAFT	1		
	11	VKS5511-002	SELECT GEAR	1		
	12	VKW5155-003	COMP.SPRING	1	FOR SELECT GEAR	
	13	VKM3846-002	GEAR BRACKET	1		
	14	VKS5509-002MM	CYLINDER GEAR	1		
	15	MSN5D257A-SA2	D.C.MOTOR ASS'Y	2		
	16	QYSPSPD2616Z	SCREW	2	FOR MOTOR	
	17	LV40612-001A	COMP.SPRING	1		
	18	VKM3825-00AMM	C.G.BASE ASS'Y	1		
	19	VKZ3172-00ASS	CAM SW. R ASS'Y	1		
	20	VKZ3173-00ASS	CAM SW. L ASS'Y	1		
	21	QYSPST2606Z	SCREW	4		
	22	VKS2263-002MM	CAM R1	1		
	23	VKS2264-002MM	CAM R2	1		
	24	VKS2265-002MM	CAM GEAR L	1		
	25	WDL316050MM	SLIT WASHER	2		
	27	QYSBSF2608Z	T.SCREW	16		
	28	VKS3702-00FMM	DRIVE UNIT	1		
	29	VKS2247-004	MECHA HOLDER A	1		
	30	VKL7767-00B	BRACKET ASS'Y	1		
	31	QYSBSF2606Z	SCREW	2	FOR BRACKET	
	32	VKM3860-00A	M.HOLDER B AS'Y	1		
	33	VKL7802-00C	M.HOLDER C AS'Y	1		
	34	QYSDST2604Z	SCREW	3		
	35	VKL7810-00A	LIFTER ASS'Y R	1		
	36	VKL7811-00A	LIFTER ASS'Y L	1		
	37	VKL7812-00A	LIFTER ASS'Y H	1		
	38	VKL2732-002	LIFTER BASE	1		
	39	VKM3857-001	LIFTER BRACKET	1		
	41	WDL266035-2	SLIT WASHER	1		
	43	VKS5514-002MM	LOCK LEVER	3		
	44	VKY3133-002MM	RETURN SPRING	1		
	46	VKY3134-003MM	CLICK SPRING	1		
	47	VKS2252-00E	TRAY ASS'Y	3		
	48	VKS2250-003	TOP BRACKET	1		
	49	VKS5515-002	S.TRAY STOPPER	1		
	50	VKW5156-004	TORSION SPRING	1		
	51	VKS3703-00G	CLAMPER ASS'Y	1		
	62	LV40761-003A	INSULATOR	4		

**■ Parts list (CD changer mechanism)**

Block No. M3MM

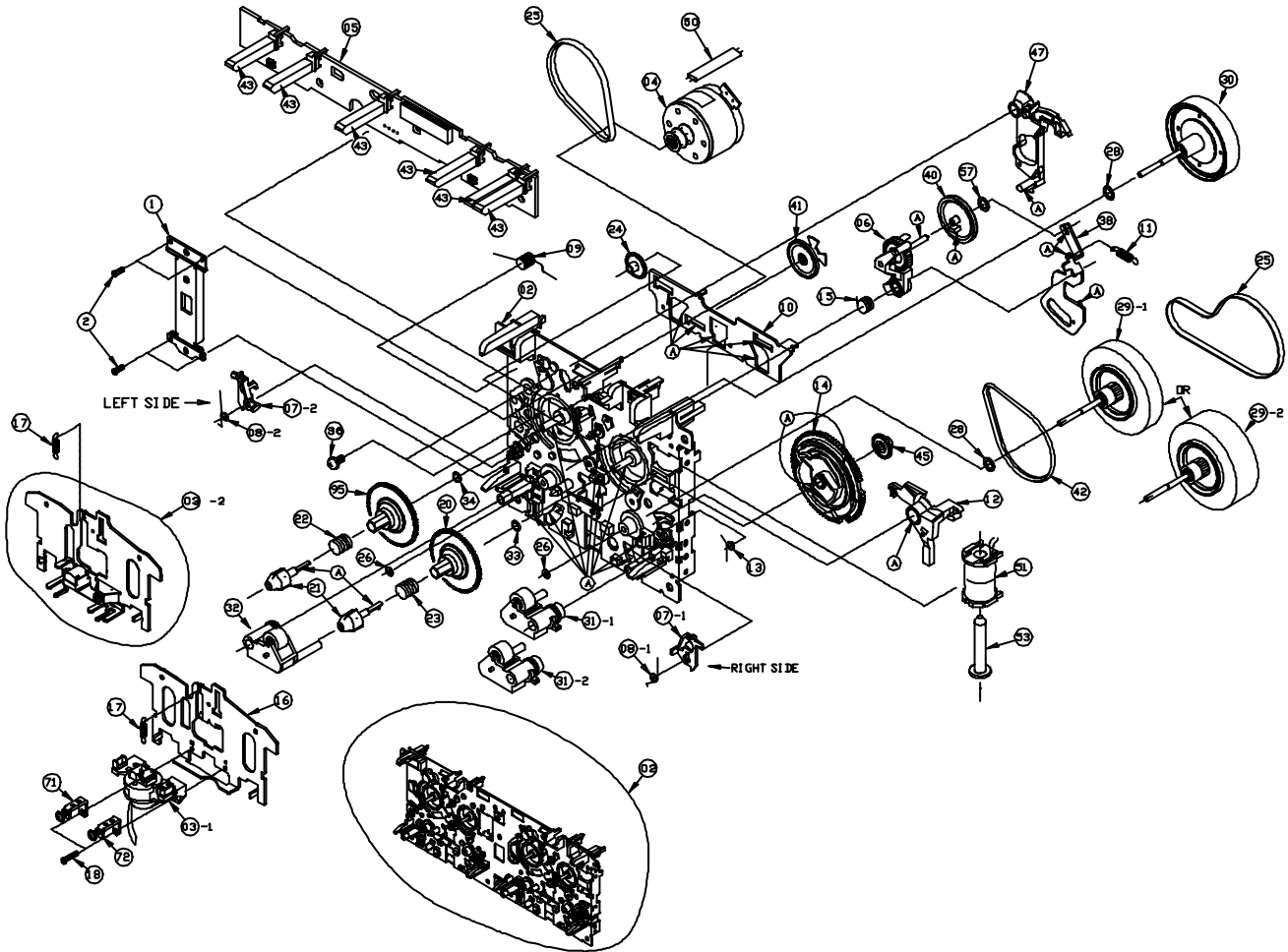
△	Item	Parts number	Parts name	Q'ty	Description	Area
	65	-----	CD MECHA	1		
	69	QGB2012J1-10	CONNECTOR	1		
	71	VKW5187-001	ROD	1		
	72	VYSA1R2-033	SPACER	1	FOR EWS176-008	
	73	LE30611-001A	C.B HOLDER	1	FOR CD CB	
	74	QYSBSF3008Z	SCREW	2	FOR HOLDER	
	75	QUQ610-1509AJ	CARD WIRE	1	TRAVERSE 15	
	76	EWS176-008	FLAT WIRE	1	TRAVERSE 6	



# Cassette mechanism assembly and parts list

Unit number : CMAT5Z214A

Block No. M 4 M M



## Parts list ( Cassette mechanism )

Block No. M4MM

▲	Item	Parts number	Parts name	Q'ty	Description	Area
	03-1	F513-852	PLATE HD BLK	1		
	03-2	F513-855	PLATE HD BLK	1		
	04	F525-336	MTR MAIN BLK	1		
	06	F522-060	CLUTCH ASSY BLK	2		
	25	FF19N-21	MAIN BELT	2		
	29-1	FR24Y-11	ASSY F/W	1		
	29-2	FR25B-11	ASSY F/W	1		
	30	FR25A-21	ASSY F/W	1		
	31-1	F514-133	ROLLER PINCH BLK R	1		
	31-2	F514-135	ROLLER PINCH BLK R	1		
	32	F514-134	ROLLER PINCH BLK L	1		
	42	FF19S-31	F/R BELT MO	2		
	43	UE20P-12	SPLFE L	6		

# Electrical parts list

## ■ Electrical parts list(Main board)

Block No. 01

△	Item	Parts number	Parts name	Remarks	Area
	C 1	GJ116230621	A.CAPACITOR	16V Y M 0.01UF	
	C 2	GJ116222821	A.CAPACITOR	50V CH J 4.7PF	
	C 3	GJ116229421	A.CAPACITOR	50V B K 1000PF	
	C 5	GJ116230621	A.CAPACITOR	16V Y M 0.01UF	
	C 11	GJ116223621	A.CAPACITOR	50V CH J 15PF	
	C 12	GJ116230621	A.CAPACITOR	16V Y M 0.01UF	
	C 13	GJ116230621	A.CAPACITOR	16V Y M 0.01UF	
	C 14	GJ111067121	C.CAPACITOR	47000PF F Z 50V	
	C 15	GJ116219921	A.CAPACITOR	50V SL J 10PF	
	C 16	GJ111067121	C.CAPACITOR	47000PF F Z 50V	
	C 17	GJ116223421	A.CAPACITOR	50V CH J 12PF	
	C 18	GJ116230621	A.CAPACITOR	16V Y M 0.01UF	
	C 19	GJ270111070310	E.CAPACITOR	10V M 100UF	
	C 20	GJ116230621	A.CAPACITOR	16V Y M 0.01UF	
	C 21	GJ116223421	A.CAPACITOR	50V CH J 12PF	
	C 22	GJ116229421	A.CAPACITOR	50V B K 1000PF	
	C 25	GJ116228821	A.CAPACITOR	50V B K 330PF	
	C 26	GJ116229021	A.CAPACITOR	50V B K 470PF	
	C 27	GJ270144750310	E.CAPACITOR	25V VX M 4.7UF	
	C 29	GJ264266822101	A.CAPACITOR	16V X M 0.0068UF	
	C 30	GJ270191050310	E.CAPACITOR	50V VX M 1UF	
	C 31	GJ116415921	C.CAPACITOR	0.1MF F Z 50V	
	C 32	GJ116415921	C.CAPACITOR	0.1MF F Z 50V	
	C 33	GJ116229521	C.CAPACITOR	1500PF X 30% 16V	
	C 34	GJ270191050310	E.CAPACITOR	50V VX M 1UF	
	C 35	GJ116230621	A.CAPACITOR	16V Y M 0.01UF	
	C 36	GJ270111070310	E.CAPACITOR	10V M 100UF	
	C 37	GJ270141060310	E.CAPACITOR	25V VX M 10UF	
	C 38	GJ283111532432	CAPACITOR	100V K 0.015UF	
	C 39	GJ283111532432	CAPACITOR	100V K 0.015UF	
	C 40	GJ270192250310	E.CAPACITOR	50V VX M 2.2UF	
	C 41	GJ270192250310	E.CAPACITOR	50V VX M 2.2UF	
	C 42	GJ116229421	A.CAPACITOR	50V B K 1000PF	
	C 43	GJ116229421	A.CAPACITOR	50V B K 1000PF	
	C 44	GJ116229421	A.CAPACITOR	50V B K 1000PF	
	C 49	GJ116230621	A.CAPACITOR	16V Y M 0.01UF	
	C 51	GJ116223421	A.CAPACITOR	50V CH J 12PF	
	C 52	GJ116223421	A.CAPACITOR	50V CH J 12PF	
	C 53	GJ270124760310	E.CAPACITOR	16V M 47UF	
	C 54	GJ282031052415	M.CAPACITOR	50V J 1UF	
	C 55	GJ283113922432	CAPACITOR	100V K 0.0039UF	
	C 56	GJ116230621	A.CAPACITOR	16V Y M 0.01UF	
	C 57	GJ116230621	A.CAPACITOR	16V Y M 0.01UF	
	C 58	GJ116229421	A.CAPACITOR	50V B K 1000PF	
	C 59	GJ270111070310	E.CAPACITOR	10V M 100UF	
	C 60	GJ116229421	A.CAPACITOR	50V B K 1000PF	
	C 62	GJ116228221	A.CAPACITOR	50V B K 100PF	
	C 63	GJ116228221	A.CAPACITOR	50V B K 100PF	
	C 64	GJ116229421	A.CAPACITOR	50V B K 1000PF	
	C 101	GJ116228221	A.CAPACITOR	50V B K 100PF	
	C 102	GJ270191050310	E.CAPACITOR	50V VX M 1UF	
	C 103	GJ270191050310	E.CAPACITOR	50V VX M 1UF	
	C 104	GJ270191050310	E.CAPACITOR	50V VX M 1UF	
	C 105	GJ270191050310	E.CAPACITOR	50V VX M 1UF	
	C 108	GJ270144750310	E.CAPACITOR	25V VX M 4.7UF	
	C 109	GJ270144750310	E.CAPACITOR	25V VX M 4.7UF	
	C 110	GJ283118232432	CAPACITOR	100V K 0.082UF	
	C 111	GJ283118232432	CAPACITOR	100V K 0.082UF	
	C 112	GJ283115622432	CAPACITOR	100V K 0.0056UF	
	C 113	GJ283111242432	CAPACITOR	100V K 0.12UF	
	C 114	GJ283111042432	CAPACITOR	100V K 0.1UF	
	C 115	GJ270111070310	E.CAPACITOR	10V M 100UF	
	C 117	GJ270144750310	E.CAPACITOR	25V VX M 4.7UF	

△	Item	Parts number	Parts name	Remarks	Area
	C 118	GJ270144750310	E.CAPACITOR	25V VX M 4.7UF	
	C 119	GJ116229021	A.CAPACITOR	50V B K 470PF	
	C 120	GJ116228621	A.CAPACITOR	50V B K 220PF	
	C 121	GJ112491891	E.CAPACITOR	47MF 20% 63V	
	C 122	GJ283111832432	CAPACITOR	100V K 0.018UF	
	C 123	GJ116219921	A.CAPACITOR	50V SL J 10PF	
	C 124	GJ270191070310	E.CAPACITOR	50V M 100UF	
	C 125	GJ283111042432	CAPACITOR	100V K 0.1UF	
	C 126	GJ283111042432	CAPACITOR	100V K 0.1UF	
	C 128	GJ270144750310	E.CAPACITOR	25V VX M 4.7UF	
	C 130	GJ270191050310	E.CAPACITOR	50V VX M 1UF	
	C 151	GJ270141060310	E.CAPACITOR	25V VX M 10UF	
	C 201	GJ116228221	A.CAPACITOR	50V B K 100PF	
	C 202	GJ270191050310	E.CAPACITOR	50V VX M 1UF	
	C 203	GJ270191050310	E.CAPACITOR	50V VX M 1UF	
	C 204	GJ270191050310	E.CAPACITOR	50V VX M 1UF	
	C 205	GJ270191050310	E.CAPACITOR	50V VX M 1UF	
	C 208	GJ270144750310	E.CAPACITOR	25V VX M 4.7UF	
	C 209	GJ270144750310	E.CAPACITOR	25V VX M 4.7UF	
	C 210	GJ283118232432	CAPACITOR	100V K 0.082UF	
	C 211	GJ283118232432	CAPACITOR	100V K 0.082UF	
	C 212	GJ283115622432	CAPACITOR	100V K 0.0056UF	
	C 213	GJ283111242432	CAPACITOR	100V K 0.12UF	
	C 214	GJ283111042432	CAPACITOR	100V K 0.1UF	
	C 215	GJ270111070310	E.CAPACITOR	10V M 100UF	
	C 217	GJ270144750310	E.CAPACITOR	25V VX M 4.7UF	
	C 218	GJ270144750310	E.CAPACITOR	25V VX M 4.7UF	
	C 219	GJ116229021	A.CAPACITOR	50V B K 470PF	
	C 220	GJ116228621	A.CAPACITOR	50V B K 220PF	
	C 221	GJ112491891	E.CAPACITOR	47MF 20% 63V	
	C 222	GJ283111832432	CAPACITOR	100V K 0.018UF	
△	C 223	GJ116219921	A.CAPACITOR	50V SL J 10PF	
	C 224	GJ270191070310	E.CAPACITOR	50V M 100UF	
	C 225	GJ283111042432	CAPACITOR	100V K 0.1UF	
	C 226	GJ283111042432	CAPACITOR	100V K 0.1UF	
	C 228	GJ270144750310	E.CAPACITOR	25V VX M 4.7UF	
	C 230	GJ270191050310	E.CAPACITOR	50V VX M 1UF	
	C 251	GJ270141060310	E.CAPACITOR	25V VX M 10UF	
	C 301	GJ116229421	A.CAPACITOR	50V B K 1000PF	
	C 304	GJ283111222432	CAPACITOR	100V K 0.0012UF	
	C 305	GJ283111042432	CAPACITOR	100V K 0.1UF	
	C 306	GJ270122260310	E.CAPACITOR	10V M 22UF	
	C 307	GJ116228221	A.CAPACITOR	50V B K 100PF	
	C 308	GJ116230621	A.CAPACITOR	16V Y M 0.01UF	
	C 309	GJ270124760310	E.CAPACITOR	16V M 47UF	
	C 310	GJ270111070310	E.CAPACITOR	10V M 100UF	
	C 311	GJ270124760310	E.CAPACITOR	16V M 47UF	
	C 312	GJ270144750310	E.CAPACITOR	25V VX M 4.7UF	
	C 313	GJ270124760310	E.CAPACITOR	16V M 47UF	
	C 314	GJ270141060310	E.CAPACITOR	25V VX M 10UF	
	C 315	GJ270191050310	E.CAPACITOR	50V VX M 1UF	
	C 316	GJ270124760310	E.CAPACITOR	16V M 47UF	
	C 318	GJ270122260310	E.CAPACITOR	16V M 22UF	
	C 319	GJ270121080110	E.CAPACITOR	16V M 1000UF	
	C 320	GJ270111070310	E.CAPACITOR	10V M 100UF	
	C 321	GJ116230621	A.CAPACITOR	16V Y M 0.01UF	
	C 322	GJ270141060310	E.CAPACITOR	25V VX M 10UF	
	C 323	GJ116230621	C.CAPACITOR	16V Y M 0.01UF	
	C 324	GJ270112270310	E.CAPACITOR	10V M 220UF	
	C 325	GJ116230621	C.CAPACITOR	16V Y M 0.01UF	
	C 326	GJ116229421	A.CAPACITOR	50V B K 1000PF	
	C 327	GJ116230621	C.CAPACITOR	16V Y M 0.01UF	
	C 328	GJ116230621	C.CAPACITOR	16V Y M 0.01UF	

■ Electrical parts list(Main board)

Block No. 01

△	Item	Parts number	Parts name	Remarks	Area	△	Item	Parts number	Parts name	Remarks	Area
	C 329	GJ270191050310	E.CAPACITOR	50V VX M 1UF			D 303	1SS133T-77	DIODE	GJ871999133	
	C 330	GJ270144750310	E.CAPACITOR	25V VX M 4.7UF			D 304	1SS133T-77	DIODE	GJ871999133	
	C 331	GJ270191050310	E.CAPACITOR	50V VX M 1UF			D 305	1SS133T-77	DIODE	GJ871999133	
	C 358	GJ270122260310	E.CAPACITOR	16V M 22UF			D 307	1SS133T-77	DIODE	GJ871999133	
	C 359	GJ270191050310	E.CAPACITOR	50V VX M 1UF			D 308	1SS133T-77	DIODE	GJ871999133	
	C 360	GJ270141060310	E.CAPACITOR	25V VX M 10UF			D 309	1SS133T-77	DIODE	GJ871999133	
	C 361	GJ270191050310	E.CAPACITOR	50V VX M 1UF			D 311	1SS133T-77	DIODE	GJ871999133	
	C 362	GJ282033342415	M.CAPACITOR	50V J 0.33UF			D 312	1N4003S-P	DIODE	GJ310020300203	
	C 363	GJ283116832432	CAPACITOR	100V K 0.068UF			D 314	1SS133T-77	DIODE	GJ871999133	
	C 364	GJ116230621	C.CAPACITOR	16V Y M 0.01UF			D 315	1SS133T-77	DIODE	GJ871999133	
	C 365	GJ264266822101	A.CAPACITOR	16V X M 0.0068UF			D 316	1SS133T-77	DIODE	GJ871999133	
	C 381	GJ116259621	A.CAPACITOR	25V F Z 0.022UF			D 317	1SS133T-77	DIODE	GJ871999133	
△	C 901	GJ283116832432	CAPACITOR	100V K 0.068UF			D 318	1SS133T-77	DIODE	GJ871999133	
△	C 902	GJ283116832432	CAPACITOR	100V K 0.068UF		△	D 901	GJ310020320223	DIODE		
△	C 903	GJ283116832432	CAPACITOR	100V K 0.068UF		△	D 902	1N4003S-P	DIODE	GJ310020300203	
△	C 904	GJ283116832432	CAPACITOR	100V K 0.068UF		△	D 903	1N4003S-P	DIODE	GJ310020300203	
	C 905	GJ270192282214	E.CAPACITOR	50V M 2200UF		△	D 904	1N4003S-P	DIODE	GJ310020300203	
	C 906	GJ270192282214	E.CAPACITOR	50V M 2200UF		△	D 905	1N4003S-P	DIODE	GJ310020300203	
	C 907	GJ116415921	C.CAPACITOR	0.1MF F Z 50V			D 906	1N4003S-P	DIODE	GJ310020300203	
	C 908	GJ116415921	C.CAPACITOR	0.1MF F Z 50V			D 907	MTZJT-7733C	ZENER DIODE	GJ871998334	
	C 909	GJ116415921	C.CAPACITOR	0.1MF F Z 50V		△	D 908	MTZJT-776.2A	ZENER DIODE	GJ871992341	
	C 910	GJ116415921	C.CAPACITOR	0.1MF F Z 50V		△	D 909	1SS133T-77	DIODE	GJ871999133	
	C 911	GJ270144780110	E.CAPACITOR	25V M 4700UF			D 910	MTZJT-776.2A	ZENER DIODE	GJ871992341	
	C 912	GJ112491891	E.CAPACITOR	47MF 20% 63V			D 911	MTZJT-775.6C	ZENER DIODE	GJ871992339	
	C 913	GJ270192260310	E.CAPACITOR	50V VX M 22UF			D 912	MTZJT-7713C	ZENER DIODE	GJ871992385	
	C 914	GJ116230621	C.CAPACITOR	16V Y M 0.01UF			D 913	MTZJT-7712C	ZENER DIODE	GJ871992381	
	C 915	GJ270192260310	E.CAPACITOR	50V VX M 22UF			D 914	1SS133T-77	DIODE	GJ871999133	
	C 916	GJ270141060310	E.CAPACITOR	25V VX M 10UF			D 915	MTZJT-776.8B	ZENER DIODE	GJ871992346	
△	C 917	GJ270192250310	E.CAPACITOR	50V VX M 2.2UF			D 916	MTZJT-7710A	ZENER DIODE	GJ871992370	
	C 918	GJ116230621	C.CAPACITOR	16V Y M 0.01UF			FW303	GJ353190150110	CABLE	19PIN	
	C 918	GJ116230621	C.CAPACITOR	16V Y M 0.01UF			IC 1	TA2104BN	IC	GJ313020351101	
	C 919	GJ270111070310	E.CAPACITOR	10V M 100UF			IC 2	LC72136N	IC	GJ313070221000	
	C 920	GJ270141060310	E.CAPACITOR	25V VX M 10UF			IC301	TDA7442D	IC	GJ313070511342	
	C 921	GJ270121070310	E.CAPACITOR	16V VX M 100UF			IC303	BA15218	IC	GJ313010023103	
	C 922	GJ270141060310	E.CAPACITOR	25V VX M 10UF			IC304	STK402-070	IC	GJ313040571406	
	C 923	GJ270121070310	E.CAPACITOR	16V VX M 100UF			IC351	BA3837	IC	GJ313030071103	
	C 924	GJ270124760310	E.CAPACITOR	16V M 47UF			J 301	GJ342030140109	JACK RCA	4PINS	
	C 925	GJ270112260310	E.CAPACITOR	10V M 22UF			J 302	GJ342040140109	HP JACK		
	CF 1	GJ178140611	CERAMIC FILTER				J 303	GJ342020150913	JACK SPK	4PINS	
	CF 2	GJ178140611	CERAMIC FILTER				L 1	VQC1505-002L	COIL	GJ320020260109	
	CF 3	GJ178117111	DESCRIMINATOR				L 2	GJ320050190103	COIL		
	CN301	GJ340022090108	CONNECTOR	9PIN BLK			L 6	GJ320020270109	COIL		
	CN302	GJ340072040102	CONNECTOR	4PINS			L 8	GJ141052131	MICRO INDUCTOR	100UH 5%	
	CN303	GJ340022190108	CONNECTOR	19PINS			L 9	GJ141039721	F.BEAD INDUCTOR	1.1UH	
	CN304	GJ340022130108	CONNECTOR	13PIN BLK			L 51	GJ141033631	INDUCTOR	220UH 10%	
	CN305	GJ340022150108	CONNECTOR	15PIN BLK			L 101	GJ320080170105	COIL		
	CN307	GJ340072050102	CONNECTOR	5PINS			L 201	GJ320080170105	COIL		
	CN91A	GJ340072040102	CONNECTOR	4PINS 1/2			L 301	GJ141039721	F.BEAD INDUCTOR	1.1UH	
	CN91B	GJ340072050102	CONNECTOR	5PINS 2/2			L 302	GJ141039721	F.BEAD INDUCTOR	1.1UH	
	D 1	1SS133T-77	DIODE	GJ871999133			L 303	GJ241131001301	F.BEAD INDUCTOR	10UH	
	D 2	1SS133T-77	DIODE	GJ871999133			L 304	GJ141039721	F.BEAD INDUCTOR	1.1UH	
	D 3	1SS133T-77	DIODE	GJ871999133			LC 1	GJ123671122	FILTER BPF		
	D 4	1SS133T-77	DIODE	GJ871999133			Q 1	2SC1923/O-T	TRANSISTOR	GJ312010162201	
	D 5	SVC203SPA-JV-T	DIODE	GJ310050080104			Q 5	DTC114YSTP	TRANSISTOR	GJ872990437	
	D 6	SVC203SPA-JV-T	DIODE	GJ310050080104			Q 6	DTC114YSTP	TRANSISTOR	GJ872990437	
	D 7	1SS133T-77	DIODE	GJ871999133			Q 7	DTA114YSTP	TRANSISTOR	GJ872990281	
	D 8	1SS133T-77	DIODE	GJ871999133			Q 8	DTC114YSTP	TRANSISTOR	GJ872990437	
	D 9	1SS133T-77	DIODE	GJ871999133			Q 102	KTC3199TPGR	TRANSISTOR	GJ312030111210	
	D 10	1SS133T-77	DIODE	GJ871999133			Q 103	2SD2144S/VW/-T	TRANSISTOR	GJ872992241	
	D 11	1SS133T-77	DIODE	GJ871999133			Q 104	2SA1175TP-F	TRANSISTOT	GJ872910154	
	D 12	1SS133T-77	DIODE	GJ871999133			Q 105	2SD2144S/VW/-T	TRANSISTOR	GJ872992241	
	D 301	MTZJT-775.1A	ZENER DIODE	GJ871992333			Q 202	KTC3199TPGR	TRANSISTOR	GJ312030111210	
	D 302	1SS133T-77	DIODE	GJ871999133			Q 203	2SD2144S/VW/-T	TRANSISTOR	GJ872992241	

■ Electrical parts list(Main board)

Block No. 01

△	Item	Parts number	Parts name	Remarks	Area	△	Item	Parts number	Parts name	Remarks	Area
	Q 204	2SA1175TP-F	TRANSISTOT	GJ872910154			R 63	GJ250084732103	CARBON RESISTOR	1/6W J 47K	
	Q 205	2SD2144S/VW-T	TRANSISTOR	GJ872992241			R 64	GJ250084732103	CARBON RESISTOR	1/6W J 47K	
	Q 301	KTC3199TPGR	TRANSISTOR	GJ312030111210			R 65	GJ250084732103	CARBON RESISTOR	1/6W J 47K	
	Q 302	KTC3199TPGR	TRANSISTOR	GJ312030111210			R 67	GJ250082232103	CARBON RESISTOR	1/6W J 22K	
	Q 303	2SA1175TP-F	TRANSISTOT	GJ872910154			R 68	GJ250081022103	CARBON RESISTOR	1/6W J 1K	
	Q 304	DTC114ESTP	TRANSISTOR	GJ872902967			R 69	GJ250081022103	CARBON RESISTOR	1/6W J 1K	
	Q 305	DTA114ES	TRANSISTOR	GJ872902921			R 70	GJ250081042103	CARBON RESISTOR	1/6W J 100K	
	Q 306	DTA114ES	TRANSISTOR	GJ872902921			R 71	GJ250084732103	CARBON RESISTOR	1/6W J 47K	
	Q 307	KTC3199TPGR	TRANSISTOR	GJ312030111210			R 72	GJ250082202103	CARBON RESISTOR	1/6W J 22	
	Q 308	KTC3199TPGR	TRANSISTOR	GJ312030111210			R 101	GJ250083932103	CARBON RESISTOR	1/6W J 39K	
	Q 309	KTC3199TPGR	TRANSISTOR	GJ312030111210			R 102	GJ250086822103	CARBON RESISTOR	1/6W J 6.8K	
	Q 310	2SC945/QP-T	TRANSISTOR	GJ872914245			R 109	GJ250085622103	CARBON RESISTOR	1/6W J 5.6K	
	Q 311	DTC114ESTP	TRANSISTOR	GJ872902967			R 110	GJ250082722103	CARBON RESISTOR	1/6W J 2.7K	
	Q 312	KTC3199TPGR	TRANSISTOR	GJ312030111210			R 111	GJ250081222103	CARBON RESISTOR	1/6W J 1.2K	
	Q 313	KTC3199TPGR	TRANSISTOR	GJ312030111210			R 112	GJ250086822103	CARBON RESISTOR	1/6W J 6.8K	
	Q 314	KTC3199TPGR	TRANSISTOR	GJ312030111210			R 113	GJ250081242103	CARBON RESISTOR	1/6W J 120K	
	Q 351	DTC114YSTP	TRANSISTOR	GJ872990437			R 114	GJ250082222103	CARBON RESISTOR	1/6W J 2.2K	
	Q 901	2SA943/R/	TRANSISTOR	GJ872999343			R 115	GJ250082222103	CARBON RESISTOR	1/6W J 2.2K	
	Q 902	DTC114YSTP	TRANSISTOR	GJ872990437			R 116	GJ250081032103	CARBON RESISTOR	1/6W J 10K	
	Q 903	DTC114YSTP	TRANSISTOR	GJ872990437			R 117	GJ250082222103	CARBON RESISTOR	1/6W J 2.2K	
	Q 904	2SB1375	TRANSISTOR	GJ872920960			R 118	GJ250084722103	CARBON RESISTOR	1/6W J 4.7K	
	Q 905	KTC3199TPGR	TRANSISTOR	GJ312030111210			R 119	GJ250081032103	CARBON RESISTOR	1/6W J 10K	
	Q 906	KTC3199TPGR	TRANSISTOR	GJ312030111210			R 120	GJ250085632103	CARBON RESISTOR	1/6W J 56K	
	Q 907	2SB1375	TRANSISTOR	GJ872920960			R 121	GJ250086812103	CARBON RESISTOR	1/6W J 680	
	Q 908	2SA1175TP-F	TRANSISTOT	GJ872910154			R 122	GJ250081042103	CARBON RESISTOR	1/6W J 100K	
	Q 909	DTA114TS	TRANSISTOR	GJ872990435			R 123	GJ250088232103	CARBON RESISTOR	1/6W J 82K	
	Q 910	DTC114TSTP	TRANSISTOR	GJ872990440			R 124	GJ250081522103	CARBON RESISTOR	1/6W J 1.5K	
	Q 911	KTC3199TPGR	TRANSISTOR	GJ312030111210		△	R 125	GJ252561081708	RESISTOR	2W K 0.1	
	Q 912	DTC114YSTP	TRANSISTOR	GJ872990437		△	R 126	GJ252561081708	RESISTOR	2W K 0.1	
	Q 913	2SA1175TP-F	TRANSISTOT	GJ872910154		△	R 127	GJ255051512601	FUSE RESISTOR	150 OHM 1/4W 5%	
	Q 914	KTC3199TPGR	TRANSISTOR	GJ312030111210			R 128	GJ250082202103	CARBON RESISTOR	1/6W J 22	
	Q 915	2SB1375	TRANSISTOR	GJ872920960			R 129	GJ250082202103	CARBON RESISTOR	1/6W J 22	
	Q 916	KTC3199TPGR	TRANSISTOR	GJ312030111210			R 130	GJ250082202103	CARBON RESISTOR	1/6W J 22	
	R 1	GJ250081042103	CARBON RESISTOR	1/6W J 100K			R 131	GJ250081032103	CARBON RESISTOR	1/6W J 10K	
	R 2	GJ250084732103	CARBON RESISTOR	1/6W J 47K		△	R 132	GJ124782191	CARBON RESISTOR	390 1/4W 5%	
	R 11	GJ250083312103	CARBON RESISTOR	1/6W J 330		△	R 133	GJ124782191	CARBON RESISTOR	390 1/4W 5%	
	R 12	GJ250084742103	CARBON RESISTOR	1/6W J 470K			R 134	GJ250081032103	CARBON RESISTOR	1/6W J 10K	
	R 13	GJ250085602103	CARBON RESISTOR	1/6W J 56			R 136	GJ250081022103	CARBON RESISTOR	1/6W J 1K	
	R 14	GJ250083312103	CARBON RESISTOR	1/6W J 330			R 137	GJ250081042103	CARBON RESISTOR	1/6W J 100K	
	R 15	GJ250081022103	CARBON RESISTOR	1/6W J 1K			R 138	GJ250081022103	CARBON RESISTOR	1/6W J 1K	
	R 16	GJ250081042103	CARBON RESISTOR	1/6W J 100K			R 139	GJ250081032103	CARBON RESISTOR	1/6W J 10K	
	R 17	GJ250081522103	CARBON RESISTOR	1/6W J 1.5K			R 140	GJ250081032103	CARBON RESISTOR	1/6W J 10K	
	R 18	GJ250081012103	CARBON RESISTOR	1/6W J 100			R 141	GJ250081022103	CARBON RESISTOR	1/6W J 1K	
	R 19	GJ250084712103	CARBON RESISTOR	1/6W J 470			R 142	GJ250081032103	CARBON RESISTOR	1/6W J 10K	
	R 21	GJ250083322103	CARBON RESISTOR	1/6W J 3.3K			R 150	GJ250082202103	CARBON RESISTOR	1/6W J 22	
	R 22	GJ250085622103	CARBON RESISTOR	1/6W J 5.6K			R 151	GJ250082232103	CARBON RESISTOR	1/6W J 22K	
	R 23	GJ250085622103	CARBON RESISTOR	1/6W J 5.6K			R 181	GJ250081032103	CARBON RESISTOR	1/6W J 10K	
	R 24	GJ250082222103	CARBON RESISTOR	1/6W J 2.2K			R 201	GJ250083932103	CARBON RESISTOR	1/6W J 39K	
	R 25	GJ250082222103	CARBON RESISTOR	1/6W J 2.2K			R 202	GJ250086822103	CARBON RESISTOR	1/6W J 6.8K	
	R 26	GJ250081032103	CARBON RESISTOR	1/6W J 10K			R 209	GJ250085622103	CARBON RESISTOR	1/6W J 5.6K	
	R 27	GJ250081032103	CARBON RESISTOR	1/6W J 10K			R 210	GJ250082722103	CARBON RESISTOR	1/6W J 2.7K	
	R 51	GJ250081022103	CARBON RESISTOR	1/6W J 1K			R 211	GJ250081222103	CARBON RESISTOR	1/6W J 1.2K	
	R 52	GJ250083322103	CARBON RESISTOR	1/6W J 3.3K			R 212	GJ250086822103	CARBON RESISTOR	1/6W J 6.8K	
	R 53	GJ250084722103	CARBON RESISTOR	1/6W J 4.7K			R 213	GJ250081242103	CARBON RESISTOR	1/6W J 120K	
	R 54	GJ250081822103	CARBON RESISTOR	1/6W J 1.8K			R 214	GJ250082222103	CARBON RESISTOR	1/6W J 2.2K	
	R 55	GJ250084722103	CARBON RESISTOR	1/6W J 4.7K			R 215	GJ250082222103	CARBON RESISTOR	1/6W J 2.2K	
	R 56	GJ250084722103	CARBON RESISTOR	1/6W J 4.7K			R 216	GJ250081032103	CARBON RESISTOR	1/6W J 10K	
	R 57	GJ250083312103	CARBON RESISTOR	1/6W J 330			R 217	GJ250082222103	CARBON RESISTOR	1/6W J 2.2K	
	R 58	GJ250081032103	CARBON RESISTOR	1/6W J 10K			R 218	GJ250084722103	CARBON RESISTOR	1/6W J 4.7K	
	R 59	GJ250081022103	CARBON RESISTOR	1/6W J 1K			R 219	GJ250081032103	CARBON RESISTOR	1/6W J 10K	
	R 60	GJ250081022103	CARBON RESISTOR	1/6W J 1K			R 220	GJ250085632103	CARBON RESISTOR	1/6W J 56K	
	R 61	GJ250081022103	CARBON RESISTOR	1/6W J 1K			R 221	GJ250086812103	CARBON RESISTOR	1/6W J 680	
	R 62	GJ250081022103	CARBON RESISTOR	1/6W J 1K			R 222	GJ250081042103	CARBON RESISTOR	1/6W J 100K	

■ Electrical parts list(Main board)

Block No. 01

△	Item	Parts number	Parts name	Remarks	Area
	R 223	GJ250088232103	CARBON RESISTOR	1/6W J 82K	
	R 224	GJ250081522103	CARBON RESISTOR	1/6W J 1.5K	
△	R 225	GJ252561081708	RESISTOR	2W K 0.1	
△	R 226	GJ252561081708	RESISTOR	2W K 0.1	
	R 227	GJ255051512601	FUSE RESISTOR	150 OHM 1/4W 5%	
	R 228	GJ250082202103	CARBON RESISTOR	1/6W J 22	
	R 229	GJ250082202103	CARBON RESISTOR	1/6W J 22	
	R 230	GJ250082202103	CARBON RESISTOR	1/6W J 22	
	R 231	GJ250081032103	CARBON RESISTOR	1/6W J 10K	
△	R 232	GJ124782191	CARBON RESISTOR	390 1/4W 5%	
△	R 233	GJ124782191	CARBON RESISTOR	390 1/4W 5%	
	R 234	GJ250081032103	CARBON RESISTOR	1/6W J 10K	
	R 236	GJ250081022103	CARBON RESISTOR	1/6W J 1K	
	R 237	GJ250081042103	CARBON RESISTOR	1/6W J 100K	
	R 238	GJ250081022103	CARBON RESISTOR	1/6W J 1K	
	R 239	GJ250081032103	CARBON RESISTOR	1/6W J 10K	
	R 240	GJ250081032103	CARBON RESISTOR	1/6W J 10K	
	R 241	GJ250081022103	CARBON RESISTOR	1/6W J 1K	
	R 242	GJ250081032103	CARBON RESISTOR	1/6W J 10K	
	R 250	GJ250082202103	CARBON RESISTOR	1/6W J 22	
	R 251	GJ250082232103	CARBON RESISTOR	1/6W J 22K	
	R 281	GJ250081032103	CARBON RESISTOR	1/6W J 10K	
	R 301	GJ250082212103	CARBON RESISTOR	1/6W J 220	
	R 302	GJ250081022103	CARBON RESISTOR	1/6W J 1K	
	R 303	GJ250081022103	CARBON RESISTOR	1/6W J 1K	
	R 304	GJ250084702103	CARBON RESISTOR	1/6W J 47	
	R 305	GJ250082212103	CARBON RESISTOR	1/6W J 220	
	R 306	GJ250081032103	CARBON RESISTOR	1/6W J 10K	
	R 307	GJ250082232103	CARBON RESISTOR	1/6W J 22K	
	R 308	GJ250084712103	CARBON RESISTOR	1/6W J 470	
	R 309	GJ250081042103	CARBON RESISTOR	1/6W J 100K	
	R 310	GJ250082232103	CARBON RESISTOR	1/6W J 22K	
	R 311	GJ250084732103	CARBON RESISTOR	1/6W J 47K	
	R 312	GJ250081032103	CARBON RESISTOR	1/6W J 10K	
	R 313	GJ250084712103	CARBON RESISTOR	1/6W J 470	
	R 314	GJ250084742103	CARBON RESISTOR	1/6W J 470K	
	R 315	GJ250082222103	CARBON RESISTOR	1/6W J 2.2K	
	R 316	GJ250081042103	CARBON RESISTOR	1/6W J 100K	
	R 321	GJ250081002103	CARBON RESISTOR	1/6W J 10	
	R 322	GJ250081502103	CARBON RESISTOR	1/6W J 15	
	R 323	GJ250082222103	CARBON RESISTOR	1/6W J 2.2K	
	R 324	GJ250081032103	CARBON RESISTOR	1/6W J 10K	
	R 325	GJ250086822103	CARBON RESISTOR	1/6W J 6.8K	
	R 326	GJ250083322103	CARBON RESISTOR	1/6W J 3.3K	
	R 327	GJ250081512103	CARBON RESISTOR	1/6W J 150	
	R 328	GJ250082212103	CARBON RESISTOR	1/6W J 220	
	R 329	GJ250082212103	CARBON RESISTOR	1/6W J 220	
	R 330	GJ250082212103	CARBON RESISTOR	1/6W J 220	
	R 331	GJ250082212103	CARBON RESISTOR	1/6W J 220	
	R 332	GJ250082212103	CARBON RESISTOR	1/6W J 220	
	R 333	GJ250081042103	CARBON RESISTOR	1/6W J 100K	
	R 334	GJ250081022103	CARBON RESISTOR	1/6W J 1K	
	R 335	GJ250081032103	CARBON RESISTOR	1/6W J 10K	
	R 336	GJ250081022103	CARBON RESISTOR	1/6W J 1K	
	R 337	GJ250081042103	CARBON RESISTOR	1/6W J 100K	
	R 338	GJ250081812103	CARBON RESISTOR	1/6W J 180	
	R 339	GJ250081532103	CARBON RESISTOR	1/6W J 15K	
	R 340	GJ250083302103	CARBON RESISTOR	1/6W J 33	
	R 341	GJ250082212103	CARBON RESISTOR	1/6W J 220	
	R 342	GJ250088212103	CARBON RESISTOR	1/6W J 820	
	R 343	GJ250081032103	CARBON RESISTOR	1/6W J 10K	
	R 344	GJ250081042103	CARBON RESISTOR	1/6W J 100K	
	R 357	GJ250084722103	CARBON RESISTOR	1/6W J 4.7K	

△	Item	Parts number	Parts name	Remarks	Area
	R 358	GJ250084722103	CARBON RESISTOR	1/6W J 4.7K	
	R 359	GJ250082212103	CARBON RESISTOR	1/6W J 220	
	R 360	GJ250081022103	CARBON RESISTOR	1/6W J 1K	
	R 361	GJ250081032103	CARBON RESISTOR	1/6W J 10K	
	R 362	GJ250082232103	CARBON RESISTOR	1/6W J 22K	
	R 901	GJ250084722103	CARBON RESISTOR	1/6W J 4.7K	
△	R 902	GJ255051012601	FUSE RESISTOR	100 OHM 1/4W 5%	
	R 903	GJ250082222103	CARBON RESISTOR	1/6W J 2.2K	
	R 904	GJ250081012103	CARBON RESISTOR	1/6W J 100	
△	R 905	GJ250081012103	CARBON RESISTOR	1/6W J 100	
△	R 906	GJ250081032103	CARBON RESISTOR	1/6W J 10K	
△	R 907	GJ250081022103	CARBON RESISTOR	1/6W J 1K	
△	R 908	GJ255052292601	RESISTOR	1/4W J 2.2	
	R 909	GJ250084732103	CARBON RESISTOR	1/6W J 47K	
	R 910	GJ250082232103	CARBON RESISTOR	1/6W J 22K	
	R 911	GJ250086822103	CARBON RESISTOR	1/6W J 6.8K	
	R 912	GJ250084712103	CARBON RESISTOR	1/6W J 470	
	R 913	GJ250084712103	CARBON RESISTOR	1/6W J 470	
	R 914	GJ250081092103	CARBON RESISTOR	1/6W J 1	
	R 915	GJ250081092103	CARBON RESISTOR	1/6W J 1	
	R 916	GJ250081092103	CARBON RESISTOR	1/6W J 1	
	R 917	GJ250081022103	CARBON RESISTOR	1/6W J 1K	
	R 918	GJ250086822103	CARBON RESISTOR	1/6W J 6.8K	
	R 928	GJ250083302103	CARBON RESISTOR	1/6W J 33	
	R 929	GJ250082222103	CARBON RESISTOR	1/6W J 2.2K	
	R 930	GJ250081042103	CARBON RESISTOR	1/6W J 100K	
	R 931	GJ250081022103	CARBON RESISTOR	1/6W J 1K	
	RY301	GJ151592111	RELAY		
	T 2	GJ123388511	IFT		
	X 1	VCX5044-001	XTAL		GJ361000130003

■ Electrical parts list(Display board)

Block No. 02

△	Item	Parts number	Parts name	Remarks	Area
	C 701	GJ116415921	C.CAPACITOR	0.1MF F Z 50V	
	C 702	GJ112689891	E.CAPACITOR	220MF 20% 10V	
	C 704	GJ112691651	E.CAPACITOR	1000MF 20% 6.3V	
	C 705	GJ116229421	A.CAPACITOR	50V B K 1000PF	
	C 706	GJ116229421	A.CAPACITOR	50V B K 1000PF	
	C 707	GJ116221321	A.CAPACITOR	50V SL J 39PF	
	C 708	GJ116221121	A.CAPACITOR	50V SL J 33PF	
	C 709	GJ116221121	A.CAPACITOR	50V SL J 33PF	
	C 710	GJ116221121	A.CAPACITOR	50V SL J 33PF	
	C 711	GJ116220721	A.CAPACITOR	50V SL J 22PF	
	C 712	GJ116220721	A.CAPACITOR	50V SL J 22PF	
	C 713	GJ116230621	A.CAPACITOR	16V Y M 0.01UF	
	C 714	GJ116230621	A.CAPACITOR	16V Y M 0.01UF	
	C 715	GJ116229421	A.CAPACITOR	50V B K 1000PF	
	C 716	GJ270114760310	E.CAPACITOR	10V M 47UF	
	C 717	GJ116415921	C.CAPACITOR	0.1MF F Z 50V	
	C 718	GJ270192260310	E.CAPACITOR	50V M 22UF	
	C 719	GJ270192260310	E.CAPACITOR	50V M 22UF	
	C 723	GJ270191050310	E.CAPACITOR	50V M 1UF	
	CN701	GJ340021150308	CONNECTOR	15PIN WHT	
	CN702	GJ340021130108	CONNECTOR	13PIN WHT	
	CN704	GJ340021160108	CONNECTOR	16PIN WHT	
	CN706	GJ169537131	CONNECTOR	10PIN WHT	
	CN708	GJ340072030102	CONNECTOR	3PINS	
	D 701	1SS133T-77	DIODE	GJ871999133	
	D 702	1SS133T-77	DIODE	GJ871999133	
	D 703	1SS133T-77	DIODE	GJ871999133	
	D 704	1SS133T-77	DIODE	GJ871999133	
	FL701	BJ753GN	FL DISPLAY	GJ373020031110	
	FW701	GJ353150280110	CABLE	15PINS	
	FW702	GJ353130230107	CABLE	13PINS	
	FW703	GJ353100200110	CABLE	10PINS	
	IC701	MN101C35DYA	IC	GJ313010661223	
	IC702	GP1U291Q	IC	GJ313010661005	
	L 701	GJ141033031	INDUCTOR	22UH 10%	
	L 702	GJ141050931	INDUCTOR	10UH 5%	
	L 703	GJ141039721	F.BEAD INDUCTOR	1.1UH	
	L 707	GJ141050931	INDUCTOR	10UH 5%	
	Q 701	KTC3199TPGR	TRANSISTOR	GJ312030111210	
	Q 702	KTC3199TPGR	TRANSISTOR	GJ312030111210	
	Q 703	KTC3199TPGR	TRANSISTOR	GJ312030111210	
	Q 704	2SC2668/O-T	TRANSISTOR	GJ312020351201	
	Q 705	2SC2668/O-T	TRANSISTOR	GJ312020351201	
	Q 706	2SA1175/F/	TRANSISTOR	GJ872910154	
	Q 707	DTA114ES	TRANSISTOR	GJ872902921	
	Q 708	DTA114ES	TRANSISTOR	GJ872902921	
	Q 709	DTA114ES	TRANSISTOR	GJ872902921	
	Q 710	DTA114ES	TRANSISTOR	GJ872902921	
	Q 711	DTA114ES	TRANSISTOR	GJ872902921	
	Q 713	DTC114YSTP	TRANSISTOR	GJ872990437	
	Q 714	DTC114YSTP	TRANSISTOR	GJ872990437	
	Q 715	DTC114YSTP	TRANSISTOR	GJ872990437	
	R 70	GJ250082242103	CARBON RESISTOR	1/6W J 220K	
	R 701	GJ250082242103	CARBON RESISTOR	1/6W J 220K	
	R 703	GJ250082242103	CARBON RESISTOR	1/6W J 220K	
	R 704	GJ250081032103	CARBON RESISTOR	1/6W J 10K	
	R 705	GJ250081032103	CARBON RESISTOR	1/6W J 10K	
	R 706	GJ250081032103	CARBON RESISTOR	1/6W J 10K	
	R 707	GJ250082222103	CARBON RESISTOR	1/6W J 2.2K	
	R 708	GJ250082222103	CARBON RESISTOR	1/6W J 2.2K	
	R 709	GJ250082222103	CARBON RESISTOR	1/6W J 2.2K	
	R 712	GJ250081022103	CARBON RESISTOR	1/6W J 1K	
	R 713	GJ250084732103	CARBON RESISTOR	1/6W J 47K	

△	Item	Parts number	Parts name	Remarks	Area
	R 714	GJ250081022103	CARBON RESISTOR	1/6W J 1K	
	R 715	GJ250084732103	CARBON RESISTOR	1/6W J 47K	
	R 716	GJ250082222103	CARBON RESISTOR	1/6W J 2.2K	
	R 717	GJ250081022103	CARBON RESISTOR	1/6W J 1K	
	R 718	GJ250081032103	CARBON RESISTOR	1/6W J 10K	
	R 719	GJ250082222103	CARBON RESISTOR	1/6W J 2.2K	
	R 720	GJ250081022103	CARBON RESISTOR	1/6W J 1K	
	R 721	GJ250084732103	CARBON RESISTOR	1/6W J 47K	
	R 722	GJ250081022103	CARBON RESISTOR	1/6W J 1K	
	R 723	GJ250084732103	CARBON RESISTOR	1/6W J 47K	
	R 724	GJ250081022103	CARBON RESISTOR	1/6W J 1K	
	R 725	GJ250084732103	CARBON RESISTOR	1/6W J 47K	
	R 726	GJ250081022103	CARBON RESISTOR	1/6W J 1K	
	R 727	GJ250081022103	CARBON RESISTOR	1/6W J 1K	
	R 728	GJ250081022103	CARBON RESISTOR	1/6W J 1K	
	R 729	GJ250081022103	CARBON RESISTOR	1/6W J 1K	
	R 730	GJ250081022103	CARBON RESISTOR	1/6W J 1K	
	R 731	GJ250081022103	CARBON RESISTOR	1/6W J 1K	
	R 732	GJ250081032103	CARBON RESISTOR	1/6W J 10K	
	R 733	GJ250084722103	CARBON RESISTOR	1/6W J 4.7K	
	R 735	GJ250081022103	CARBON RESISTOR	1/6W J 1K	
	R 736	GJ250081022103	CARBON RESISTOR	1/6W J 1K	
	R 737	GJ250081022103	CARBON RESISTOR	1/6W J 1K	
	R 738	GJ250081022103	CARBON RESISTOR	1/6W J 1K	
	R 739	GJ250081022103	CARBON RESISTOR	1/6W J 1K	
	R 740	GJ250082212103	CARBON RESISTOR	1/6W J 220	
	R 741	GJ250083312103	CARBON RESISTOR	1/6W J 330	
	R 742	GJ250082222103	CARBON RESISTOR	1/6W J 2.2K	
	R 743	GJ250082222103	CARBON RESISTOR	1/6W J 2.2K	
	R 744	GJ250082242103	CARBON RESISTOR	1/6W J 220K	
	R 745	GJ250082222103	CARBON RESISTOR	1/6W J 2.2K	
	R 746	GJ250082222103	CARBON RESISTOR	1/6W J 2.2K	
	R 747	GJ250082222103	CARBON RESISTOR	1/6W J 2.2K	
	R 748	GJ250082222103	CARBON RESISTOR	1/6W J 2.2K	
	R 749	GJ250084722103	CARBON RESISTOR	1/6W J 4.7K	
	R 750	GJ250084722103	CARBON RESISTOR	1/6W J 4.7K	
	R 751	GJ250084722103	CARBON RESISTOR	1/6W J 4.7K	
	R 752	GJ250084722103	CARBON RESISTOR	1/6W J 4.7K	
	R 753	GJ250082222103	CARBON RESISTOR	1/6W J 2.2K	
	R 754	GJ250082222103	CARBON RESISTOR	1/6W J 2.2K	
	R 755	GJ250082222103	CARBON RESISTOR	1/6W J 2.2K	
	R 756	GJ250082222103	CARBON RESISTOR	1/6W J 2.2K	
	R 757	GJ250081022103	CARBON RESISTOR	1/6W J 1K	
	R 758	GJ250082222103	CARBON RESISTOR	1/6W J 2.2K	
	R 761	GJ250084732103	CARBON RESISTOR	1/6W J 47K	
	R 762	GJ250081032103	CARBON RESISTOR	1/6W J 10K	
	R 763	GJ250084732103	CARBON RESISTOR	1/6W J 47K	
	R 764	GJ250084732103	CARBON RESISTOR	1/6W J 47K	
	R 769	GJ250081022103	CARBON RESISTOR	1/6W J 1K	
	R 770	GJ250082222103	CARBON RESISTOR	1/6W J 2.2K	
	R 771	GJ250082222103	CARBON RESISTOR	1/6W J 2.2K	
	R 772	GJ250082222103	CARBON RESISTOR	1/6W J 2.2K	
	R 773	GJ250082222103	CARBON RESISTOR	1/6W J 2.2K	
	R 774	GJ250081822103	CARBON RESISTOR	1/6W J 1.8K	
	R 775	GJ250082222103	CARBON RESISTOR	1/6W J 2.2K	
	R 776	GJ250081032103	CARBON RESISTOR	1/6W J 10K	
	R 778	GJ250081022103	CARBON RESISTOR	1/6W J 1K	
	R 779	GJ250081032103	CARBON RESISTOR	1/6W J 10K	
	R 780	GJ250081022103	CARBON RESISTOR	1/6W J 1K	
	R 781	GJ250081032103	CARBON RESISTOR	1/6W J 10K	
	R 782	GJ250082222103	CARBON RESISTOR	1/6W J 2.2K	
	R 783	GJ250084732103	CARBON RESISTOR	1/6W J 47K	
	R 784	GJ250082222103	CARBON RESISTOR	1/6W J 2.2K	

■ Electrical parts list(Display board)

Block No. 02

△	Item	Parts number	Parts name	Remarks	Area
	R 785	GJ250082222103	CARBON RESISTOR	1/6W J 2.2K	
	R 786	GJ250081032103	CARBON RESISTOR	1/6W J 10K	
	R 787	GJ250081032103	CARBON RESISTOR	1/6W J 10K	
	R 788	GJ250081022103	CARBON RESISTOR	1/6W J 1K	
	R 789	GJ250081022103	CARBON RESISTOR	1/6W J 1K	
	R 790	GJ250082222103	CARBON RESISTOR	1/6W J 2.2K	
	R 791	GJ250082222103	CARBON RESISTOR	1/6W J 2.2K	
	R 792	GJ250083312103	CARBON RESISTOR	1/6W J 330	
	RA701	GJ250082242103	CARBON RESISTOR	1/6W J 220K	
	RA702	GJ250082242103	CARBON RESISTOR	1/6W J 220K	
	RA703	GJ250082242103	CARBON RESISTOR	1/6W J 220K	
	RA704	GJ250082242103	CARBON RESISTOR	1/6W J 220K	
	RA705	GJ250082242103	CARBON RESISTOR	1/6W J 220K	
	RA706	GJ250082242103	CARBON RESISTOR	1/6W J 220K	
	RA707	GJ250082242103	CARBON RESISTOR	1/6W J 220K	
	RA708	GJ250082242103	CARBON RESISTOR	1/6W J 220K	
	RA709	GJ250082242103	CARBON RESISTOR	1/6W J 220K	
	RA710	GJ250082242103	CARBON RESISTOR	1/6W J 220K	
	RA711	GJ250082242103	CARBON RESISTOR	1/6W J 220K	
	RA712	GJ250082242103	CARBON RESISTOR	1/6W J 220K	
	RA713	GJ250082242103	CARBON RESISTOR	1/6W J 220K	
	RA714	GJ250082242103	CARBON RESISTOR	1/6W J 220K	
	RA715	GJ250082242103	CARBON RESISTOR	1/6W J 220K	
	RA716	GJ250082242103	CARBON RESISTOR	1/6W J 220K	
	RA717	GJ250082242103	CARBON RESISTOR	1/6W J 220K	
	RA718	GJ250082242103	CARBON RESISTOR	1/6W J 220K	
	RA719	GJ250082242103	CARBON RESISTOR	1/6W J 220K	
	RA720	GJ250082242103	CARBON RESISTOR	1/6W J 220K	
	RA721	GJ250082242103	CARBON RESISTOR	1/6W J 220K	
	RA722	GJ250082242103	CARBON RESISTOR	1/6W J 220K	
	RA723	GJ250082242103	CARBON RESISTOR	1/6W J 220K	
	RA724	GJ250082242103	CARBON RESISTOR	1/6W J 220K	
	RA725	GJ250082242103	CARBON RESISTOR	1/6W J 220K	
	RA726	GJ250082242103	CARBON RESISTOR	1/6W J 220K	
	RA727	GJ250082242103	CARBON RESISTOR	1/6W J 220K	
	RA728	GJ250082242103	CARBON RESISTOR	1/6W J 220K	
	RA729	GJ250082242103	CARBON RESISTOR	1/6W J 220K	
	R1037	GJ250082232103	CARBON RESISTOR	1/6W J 22K	
	R1038	GJ250082232103	CARBON RESISTOR	1/6W J 22K	
	R1039	GJ250088232103	CARBON RESISTOR	1/6W J 82K	
	R1040	GJ250088232103	CARBON RESISTOR	1/6W J 82K	
	R1041	GJ250085632103	CARBON RESISTOR	1/6W J 56K	
	R1042	GJ250085632103	CARBON RESISTOR	1/6W J 56K	
	R1043	GJ250084732103	CARBON RESISTOR	1/6W J 47K	
	R1044	GJ250081032103	CARBON RESISTOR	1/6W J 10K	
	R1045	GJ250081032103	CARBON RESISTOR	1/6W J 10K	
	R1046	GJ250081032103	CARBON RESISTOR	1/6W J 10K	
	R1047	GJ250084732103	CARBON RESISTOR	1/6W J 47K	
	R1049	GJ250081032103	CARBON RESISTOR	1/6W J 10K	
	R1050	GJ250081032103	CARBON RESISTOR	1/6W J 10K	
	X 701	GJ178159811	RESONATOR	CSA8.00MTZ 200	
	X 702	GJ361000230009	CRYSTAL	32.768KHZ	

■ Electrical parts list(Multi-control board)

Block No. 03

△	Item	Parts number	Parts name	Remarks	Area
	CN101	GJ169537131	CONNECTOR	10PIN WHT	
	LED12	GJ374301022103	LED	SLR-342MCT32	
	LED13	GJ374301022103	LED	SLR-342MCT32	
	LED14	GJ374301022103	LED	SLR-342MCT32	
	LED15	GJ374301022103	LED	SLR-342MCT32	
	R1001	GJ250086812103	CARBON RESISTOR	1/6W J 680	
	R1002	GJ250086812103	CARBON RESISTOR	1/6W J 680	
	R1003	GJ250088212103	CARBON RESISTOR	1/6W J 820	
	R1004	GJ250084722103	CARBON RESISTOR	1/6W J 4.7K	
	R1007	GJ250083312103	CARBON RESISTOR	1/6W J 330	
	R1008	GJ250083312103	CARBON RESISTOR	1/6W J 330	
	R1009	GJ250086812103	CARBON RESISTOR	1/6W J 680	
	R1017	GJ250083312103	CARBON RESISTOR	1/6W J 330	
	R1018	GJ250083312103	CARBON RESISTOR	1/6W J 330	
	R1019	GJ250086812103	CARBON RESISTOR	1/6W J 680	
	R1020	GJ250086812103	CARBON RESISTOR	1/6W J 680	
	R1021	GJ250088212103	CARBON RESISTOR	1/6W J 820	
	R1022	GJ250081022103	CARBON RESISTOR	1/6W J 1K	
	R1023	GJ250081522103	CARBON RESISTOR	1/6W J 1.5K	
	R1024	GJ250082222103	CARBON RESISTOR	1/6W J 2.2K	
	R1025	GJ250082722103	CARBON RESISTOR	1/6W J 2.7K	
	R1026	GJ250085622103	CARBON RESISTOR	1/6W J 5.6K	
	R1027	GJ250081232103	CARBON RESISTOR	1/6W J 12K	
	R1028	GJ250086812103	CARBON RESISTOR	1/6W J 680	
	R1029	GJ250086812103	CARBON RESISTOR	1/6W J 680	
	R1030	GJ250088212103	CARBON RESISTOR	1/6W J 820	
	R1031	GJ250081022103	CARBON RESISTOR	1/6W J 1K	
	R1032	GJ250081522103	CARBON RESISTOR	1/6W J 1.5K	
	R1033	GJ250082222103	CARBON RESISTOR	1/6W J 2.2K	
	R1034	GJ250082722103	CARBON RESISTOR	1/6W J 2.7K	
	R1035	GJ250085622103	CARBON RESISTOR	1/6W J 5.6K	
	R1036	GJ250081232103	CARBON RESISTOR	1/6W J 12K	
	S1003	GJ390110181120	TACT SWITCH	TAPE	
	S1004	GJ390110181120	TACT SWITCH	AUX	
	S1005	GJ390110181120	TACT SWITCH	BAND	
	S1006	GJ390110181120	TACT SWITCH	CD	
	S1013	GJ390110181120	TACT SWITCH	STOP	
	S1014	GJ390110181120	TACT SWITCH	TUN+	
	S1015	GJ390110181120	TACT SWITCH	TUN-	
	S1016	GJ390110181120	TACT SWITCH	REPEAT	
	S1017	GJ390110181120	TACT SWITCH	RANDOM	
	S1018	GJ390110181120	TACT SWITCH	PROGRAM	
	S1019	GJ390110181120	TACT SWITCH	S.MODE	
	S1020	GJ390110181120	TACT SWITCH	CANCEL	
	S1021	GJ390110181120	TACT SWITCH	SET	
	S1022	GJ390110181120	TACT SWITCH	TIM/CLK	
	S1023	GJ390110181120	TACT SWITCH	REC	
	S1024	GJ390110181120	TACT SWITCH	DUBBING	
	S1025	GJ390110181120	TACT SWITCH	CD REC	
	S1026	GJ390110181120	TACT SWITCH	REV MODE	
	S1027	GJ390110181120	TACT SWITCH	PRESET-	
	S1028	GJ390110181120	TACT SWITCH	PRESET+	
	S1029	GJ390110181120	TACT SWITCH	DECK A/B	
	S1030	GJ390110181120	TACT SWITCH	DISPLAY	
	S1031	GJ390110181120	TACT SWITCH	A.BASS	

■ Electrical parts list(Power switch board) Block No. 04

△	Item	Parts number	Parts name	Remarks	Area
	LED11	GJ374301012101	LED		
	R1006	GJ250086812103	CARBON RESISTOR	1/6W J 680	
	S1001	GJ390110181120	TACT SWITCH	POWER	
	W1002	GJ353030140107	CABLE FLAT	3PINS	

■ Electrical parts list(Eject switch board) Block No. 05

△	Item	Parts number	Parts name	Remarks	Area
	R1010	GJ250086812103	CARBON RESISTOR	1/6W J 680	
	R1011	GJ250088212103	CARBON RESISTOR	1/6W J 820	
	R1012	GJ250081022103	CARBON RESISTOR	1/6W J 1K	
	R1013	GJ250081522103	CARBON RESISTOR	1/6W J 1.5K	
	R1014	GJ25008222103	CARBON RESISTOR	1/6W J 2.2K	
	R1015	GJ250082722103	CARBON RESISTOR	1/6W J 2.7K	
	S1007	GJ390110181120	TACT SWITCH	CD1	
	S1008	GJ390110181120	TACT SWITCH	CD2	
	S1009	GJ390110181120	TACT SWITCH	CD3	
	S1010	GJ390110181120	TACT SWITCH	EJE1	
	S1011	GJ390110181120	TACT SWITCH	EJE2	
	S1012	GJ390110181120	TACT SWITCH	EJE3	
	W1004	GJ353020120107	CABLE FLAT	2PINS	

■ Electrical parts list(Volume board) Block No. 06

△	Item	Parts number	Parts name	Remarks	Area
	C1001	GJ116230621	A.CAPACITOR	16V Y M 0.01UF	
	C1002	GJ116230621	A.CAPACITOR	16V Y M 0.01UF	
	SW101	GJ299000570003	VR ENCODER		
	W1005	GJ353030080107	FLAT CABLE	3PINS	



■ Electrical parts list(H.phone&mic board) Block No. 07

△	Item	Parts number	Parts name	Remarks	Area
	C 851	GJ270194750310	E.CAPACITOR	50V VX M 4.7UF	
	C 852	GJ264264722101	A.CAPACITOR	16V X M 0.0047UF	
	C 853	GJ113682991	M.CAPACITOR	0.012MF 5% 50V	
	C 854	GJ282031032415	M.CAPACITOR	50V J 0.01UF	
	C 855	GJ270111070310	E.CAPACITOR	10V VX M 100UF	
	C 856	GJ116230621	A.CAPACITOR	16V Y M 0.01UF	
	C 857	GJ116228221	A.CAPACITOR	50V B K 100PF	
	C 858	GJ270122260310	E.CAPACITOR	16V VX M 22UF	
	C 859	GJ282031032415	M.CAPACITOR	50V J 0.01UF	
	C 860	GJ282034742415	M.CAPACITOR	50V J 0.47UF	
	C 861	GJ264263322101	A.CAPACITOR	16V X M 0.0033UF	
	C 862	GJ116230621	A.CAPACITOR	16V Y M 0.01UF	
	C 863	GJ270192250310	E.CAPACITOR	50V VX M 2.2UF	
	C 864	GJ116228421	A.CAPACITOR	50V B K 150PF	
	C 865	GJ116228421	A.CAPACITOR	50V B K 150PF	
	C 866	GJ116228821	A.CAPACITOR	50V B K 330PF	
	C 867	GJ270191050310	E.CAPACITOR	50V VX M 1UF	
	C 868	GJ270194750310	E.CAPACITOR	50V VX M 4.7UF	
	C 869	GJ270111070310	E.CAPACITOR	10V VX M 100UF	
	C 870	GJ270112270310	E.CAPACITOR	10V VX M 220UF	
	C 871	GJ110100691	C.CAPACITOR	50V F Z 0.047UF	
	C 872	GJ116228921	A.CAPACITOR	50V B K 390PF	
	C 873	GJ116228921	A.CAPACITOR	50V B K 390PF	
	C 874	GJ270121060310	E.CAPACITOR	16V VX M 10UF	
	C 875	GJ116230621	A.CAPACITOR	16V Y M 0.01UF	
	C 876	GJ270191050310	E.CAPACITOR	50V VX M 1UF	
	D 851	1SS133T-TT	DIODE	GJ871999133	
	D 852	MTZJT-775.1A	ZENER DIODE		
	FW851	GJ353040350107	FLAT CABLE	4PINS	
	FW852	GJ353050280107	FLAT CABLE	5PINS	
	IC851	BU9253FS	IC	GJ875945378	
	IC852	BA15218F	IC	GJ313010022103	
	J 850	GJ342010160111	PHONE JACK		
	JA851	GJ342010170109	JACK		
	L 845	GJ141050531	INDUCTOR	4.7UH 5%	
	Q 851	2SC2785E	TRANSISTOR	GJ872910138	
	Q 852	2SC2785E	TRANSISTOR	GJ872910138	
	Q 853	DTA114YSTP	TRANSISTOR	GJ872990281	
	R 840	GJ250084722103	CARBON RESISTOR	1/6W J 4.7K	
	R 842	GJ250081512103	CARBON RESISTOR	1/6W J 150	
	R 843	GJ250081512103	CARBON RESISTOR	1/6W J 150	
	R 851	GJ250082232103	CARBON RESISTOR	1/6W J 22K	
	R 852	GJ250088222103	CARBON RESISTOR	1/6W J 8.2K	
	R 853	GJ250081032103	CARBON RESISTOR	1/6W J 10K	
	R 855	GJ250083932103	CARBON RESISTOR	1/6W J 39K	
	R 856	GJ250088232103	CARBON RESISTOR	1/6W J 82K	
	R 857	GJ250083332103	CARBON RESISTOR	1/6W J 33K	
	R 858	GJ250081032103	CARBON RESISTOR	1/6W J 10K	
	R 859	GJ250084722103	CARBON RESISTOR	1/6W J 4.7K	
	R 860	GJ250081532103	CARBON RESISTOR	1/6W J 15K	
	R 861	GJ250083312103	CARBON RESISTOR	1/6W J 330	
	R 862	GJ250081022103	CARBON RESISTOR	1/6W J 1K	
	R 863	GJ250084722103	CARBON RESISTOR	1/6W J 4.7K	
	R 864	GJ250084702103	CARBON RESISTOR	1/6W J 47	
	R 865	GJ250082732103	CARBON RESISTOR	1/6W J 27K	
	R 866	GJ250083912103	CARBON RESISTOR	1/6W J 390	
	R 867	GJ250081522103	CARBON RESISTOR	1/6W J 1.5K	
	R 868	GJ250084752103	CARBON RESISTOR	1/6W J 4.7M	
	R 869	GJ250085612103	CARBON RESISTOR	1/6W J 560	
	R 870	GJ250084722103	CARBON RESISTOR	1/6W J 4.7K	
	R 871	GJ250084722103	CARBON RESISTOR	1/6W J 4.7K	
	R 872	GJ250082212103	CARBON RESISTOR	1/6W J 220	
	R 873	GJ250081232103	CARBON RESISTOR	1/6W J 12K	

△	Item	Parts number	Parts name	Remarks	Area
	R 874	GJ250081032103	CARBON RESISTOR	1/6W J 10K	
	R 875	GJ250082232103	CARBON RESISTOR	1/6W J 22K	
	R 876	GJ250084732103	CARBON RESISTOR	1/6W J 47K	
	R 878	GJ250081042103	CARBON RESISTOR	1/6W J 100K	
	R 879	GJ250084722103	CARBON RESISTOR	1/6W J 4.7K	
	R 880	GJ250082232103	CARBON RESISTOR	1/6W J 22K	
	R 882	GJ250081232103	CARBON RESISTOR	1/6W J 12K	
	VR840	GJ29900510003	VR 10K-A	EVU E27FK1A14	

■ Electrical parts list(Cassette amplifier board) Block No. 08

△	Item	Parts number	Parts name	Remarks	Area
	C 351	GJ270192250310	E.CAPACITOR	50V VX M 2.2UF	
	C 352	GJ270121070310	E.CAPACITOR	16V VX M 100UF	
	C 353	GJ270114760310	E.CAPACITOR	10V M 47UF	
	C 354	GJ270124760310	E.CAPACITOR	16V M 47UF	
	C 355	GJ116229321	A.CAPACITOR	50V B K 820PF	
	C 357	GJ283111532432	CAPACITOR	100V K 0.015UF	
	C 359	GJ270121070310	E.CAPACITOR	16V VX M 100UF	
	C 360	GJ116230621	A.CAPACITOR	16V Y M 0.01UF	
	C 361	GJ283116822432	CAPASITER	100V K 0.0068UF	
	C 362	GJ283115622432	CAPACITOR	100V K 0.0056UF	
	C 363	GJ283115622432	CAPACITOR	100V K 0.0056UF	
	C 364	GJ111067121	C.CAPACITOR	47000PF F Z 50V	
	C 365	GJ270111070310	E.CAPACITOR	10V M 100UF	
	C 369	GJ270144750310	E.CAPACITOR	25V VX M 4.7UF	
	C 370	GJ270121070310	E.CAPACITOR	16V VX M 100UF	
	C 371	GJ116230621	A.CAPACITOR	16V Y M 0.01UF	
	C 372	GJ116230621	A.CAPACITOR	16V Y M 0.01UF	
	C 373	GJ116230621	A.CAPACITOR	16V Y M 0.01UF	
	C 401	GJ116229121	A.CAPACITOR	50V B K 560PF	
	C 402	GJ116229121	A.CAPACITOR	50V B K 560PF	
	C 403	GJ116221121	A.CAPACITOR	50V SL J 33PF	
	C 404	GJ283111832432	CAPACITOR	100V K 0.018UF	
	C 405	GJ270111070310	E.CAPACITOR	10V M 100UF	
	C 406	GJ116228621	A.CAPACITOR	50V B K 220PF	
	C 407	GJ270144750310	E.CAPACITOR	25V VX M 4.7UF	
	C 408	GJ270144750310	E.CAPACITOR	25V VX M 4.7UF	
	C 409	GJ264263322101	A.CAPACITOR	16V X M 0.0033UF	
	C 410	GJ264263322101	A.CAPACITOR	16V X M 0.0033UF	
	C 411	GJ270141060310	E.CAPACITOR	25V VX M 10UF	
	C 412	GJ283115632432	CAPACITOR	100V K 0.056UF	
	C 413	GJ282031032415	M.CAPACITOR	50V J 0.01UF	
	C 414	GJ116229421	A.CAPACITOR	50V B K 1000PF	
	C 415	GJ270144750310	E.CAPACITOR	25V VX M 4.7UF	
	C 416	GJ270192240310	E.CAPACITOR	50V VX M 0.22UF	
	C 417	GJ116229021	A.CAPACITOR	50V B K 470PF	
	C 418	GJ116230221	A.CAPACITOR	16V X M 0.0022UF	
	C 419	GJ116221121	A.CAPACITOR	50V SL J 33PF	
	C 420	GJ116228421	A.CAPACITOR	50V B K 150PF	
	C 501	GJ116229121	A.CAPACITOR	50V B K 560PF	
	C 502	GJ116229121	A.CAPACITOR	50V B K 560PF	
	C 503	GJ116221121	A.CAPACITOR	50V SL J 33PF	
	C 504	GJ283111832432	CAPACITOR	100V K 0.018UF	
	C 505	GJ270111070310	E.CAPACITOR	10V M 100UF	
	C 506	GJ116228621	A.CAPACITOR	50V B K 220PF	
	C 507	GJ270144750310	E.CAPACITOR	25V VX M 4.7UF	
	C 508	GJ270144750310	E.CAPACITOR	25V VX M 4.7UF	
	C 509	GJ264263322101	A.CAPACITOR	16V X M 0.0033UF	
	C 510	GJ264263322101	A.CAPACITOR	16V X M 0.0033UF	
	C 511	GJ270141060310	E.CAPACITOR	25V VX M 10UF	
	C 512	GJ283115632432	CAPACITOR	100V K 0.056UF	
	C 513	GJ282031032415	M.CAPACITOR	50V J 0.01UF	
	C 514	GJ116229421	A.CAPACITOR	50V B K 1000PF	
	C 515	GJ270144750310	E.CAPACITOR	25V VX M 4.7UF	
	C 516	GJ270192240310	E.CAPACITOR	50V VX M 0.22UF	
	C 517	GJ116229021	A.CAPACITOR	50V B K 470PF	
	C 518	GJ116230221	A.CAPACITOR	16V X M 0.0022UF	
	C 519	GJ116221121	A.CAPACITOR	50V SL J 33PF	
	C 520	GJ116228421	A.CAPACITOR	50V B K 150PF	
	CN351	GJ340022090108	CONNECTOR	9PIN BLK	
	CN352	GJ340022160108	CONNECTOR	16PIN BLK	
	CN353	GJ340022150108	CONNECTOR	15PIN BLK	
	CN354	GJ158015511	HEADER	3PINS	
	C9002	GJ116229421	A.CAPACITOR	50V B K 1000PF	

△	Item	Parts number	Parts name	Remarks	Area
	C9003	GJ260771812412	C.CAPACITOR	50V SL J 180PF	
	C9004	GJ260771812412	C.CAPACITOR	50V SL J 180PF	
	C9005	GJ116230621	A.CAPACITOR	16V Y M 0.01UF	
	C9006	GJ116230621	A.CAPACITOR	16V Y M 0.01UF	
	C9007	GJ116230621	A.CAPACITOR	16V Y M 0.01UF	
	C9102	GJ116230621	A.CAPACITOR	16V Y M 0.01UF	
	D 351	1SS133T-77	DIODE	GJ871999133	
	D 352	1SS133T-77	DIODE	GJ871999133	
	D 353	1SS133T-77	DIODE	GJ871999133	
	D 354	1SS133T-77	DIODE	GJ871999133	
	D 355	1SS133T-77	DIODE	GJ871999133	
	FW351	GJ353090220110	CABLE	9PINS	
	FW352	GJ353160230110	CABLE	16PINS	
	FW353	GJ353150240110	CABLE	15PINS	
	IC401	BA3126N	IC	GJ313030301403	
	IC402	TA8189N	IC	GJ875924258	
	J 391	GJ250081022103	CARBON RESISTOR	1/6W J 1K	
	L 351	GJ320060040105	COIL		
	L 401	GJ141078021	MICRO INDUCTOR	27MH 5%	
	L 501	GJ141078021	MICRO INDUCTOR	27MH 5%	
	L9001	GJ141039721	F.BEAD INDUCTOR	1.1UH	
	L9002	GJ141039721	F.BEAD INDUCTOR	1.1UH	
	Q 352	KTC3200GR	TRANSISTOR	GJ312030131210	
	Q 354	DTA114YSTP	TRANSISTOR	GJ872990281	
	Q 356	2SC2001/LK/-T	TRANSISTOR	GJ312020012202	
	Q 357	2SC2001/LK/-T	TRANSISTOR	GJ312020012202	
	Q 358	2SA1175TP-F	TRANSISTOT	GJ872910154	
	Q 359	2SA1175TP-F	TRANSISTOT	GJ872910154	
	Q 360	DTC144ESTP	TRANSISTOR	GJ872903003	
	Q 361	DTC144ESTP	TRANSISTOR	GJ872903003	
	Q 362	DTC144ESTP	TRANSISTOR	GJ872903003	
	Q 363	DTC114YSTP	TRANSISTOR	GJ872990437	
	Q 364	DTC114YSTP	TRANSISTOR	GJ872990437	
	Q 365	DTC144ESTP	TRANSISTOR	GJ872903003	
	Q 366	DTC114YSTP	TRANSISTOR	GJ872990437	
	Q 367	2SA934/QR/-T	TRANSISTOR	GJ872999343	
	Q 368	2SA934/QR/-T	TRANSISTOR	GJ872999343	
	Q 369	KTC3199TPGR	TRANSISTOR	GJ312030111210	
	Q 370	2SA934/QR/-T	TRANSISTOR	GJ872999343	
	Q 371	KTC3199TPGR	TRANSISTOR	GJ312030111210	
	Q 401	DTC114TSTP	TRANSISTOR	GJ872990440	
	Q 402	2SD2144S/VW/-T	TRANSISTOR	GJ872992241	
	Q 403	2SD2144S/VW/-T	TRANSISTOR	GJ872992241	
	Q 404	2SD2144S/VW/-T	TRANSISTOR	GJ872992241	
	Q 501	DTC114TSTP	TRANSISTOR	GJ872990440	
	Q 502	2SD2144S/VW/-T	TRANSISTOR	GJ872992241	
	Q 503	2SD2144S/VW/-T	TRANSISTOR	GJ872992241	
	Q 504	2SD2144S/VW/-T	TRANSISTOR	GJ872992241	
	R 351	GJ250081032103	CARBON RESISTOR	1/6W J 10K	
	R 352	GJ250081012103	CARBON RESISTOR	1/6W J 100	
	R 353	GJ250081052103	CARBON RESISTOR	1/6W J 1M	
	R 354	GJ250082212103	CARBON RESISTOR	1/6W J 220	
	R 355	GJ250081032103	CARBON RESISTOR	1/6W J 10K	
	R 357	GJ250081832103	CARBON RESISTOR	1/6W J 18K	
	R 358	GJ250081832103	CARBON RESISTOR	1/6W J 18K	
	R 359	GJ250081002103	CARBON RESISTOR	1/6W J 10	
	R 360	GJ250081002103	CARBON RESISTOR	1/6W J 10	
	R 361	GJ250084792103	CARBON RESISTOR	1/6W J 4.7	
	R 362	GJ250081212103	CARBON RESISTOR	1/6W J 120	
	R 363	GJ250085602103	CARBON RESISTOR	1/6W J 56	
	R 364	GJ250081032103	CARBON RESISTOR	1/6W J 10K	
	R 365	GJ250081032103	CARBON RESISTOR	1/6W J 10K	
	R 366	GJ250084722103	CARBON RESISTOR	1/6W J 4.7K	

■ Electrical parts list(Cassette amplifier board) Block No. 08

△	Item	Parts number	Parts name	Remarks	Area
	R 367	GJ250081032103	CARBON RESISTOR	1/6W J 10K	
	R 368	GJ250081032103	CARBON RESISTOR	1/6W J 10K	
	R 369	GJ250081032103	CARBON RESISTOR	1/6W J 10K	
	R 370	GJ250084722103	CARBON RESISTOR	1/6W J 4.7K	
	R 371	GJ250082222103	CARBON RESISTOR	1/6W J 2.2K	
	R 372	GJ250082222103	CARBON RESISTOR	1/6W J 2.2K	
	R 373	GJ250082222103	CARBON RESISTOR	1/6W J 2.2K	
	R 374	GJ250082222103	CARBON RESISTOR	1/6W J 2.2K	
	R 375	GJ250084732103	CARBON RESISTOR	1/6W J 47K	
	R 376	GJ250082232103	CARBON RESISTOR	1/6W J 22K	
	R 379	GJ250084722103	CARBON RESISTOR	1/6W J 4.7K	
	R 380	GJ250082222103	CARBON RESISTOR	1/6W J 2.2K	
	R 381	GJ250082222103	CARBON RESISTOR	1/6W J 2.2K	
	R 382	GJ250086822103	CARBON RESISTOR	1/6W J 6.8K	
	R 383	GJ250085632103	CARBON RESISTOR	1/6W J 56K	
	R 386	GJ250081022103	CARBON RESISTOR	1/6W J 1K	
	R 387	GJ250083322103	CARBON RESISTOR	1/6W J 3.3K	
	R 388	GJ250081022103	CARBON RESISTOR	1/6W J 1K	
	R 389	GJ250083322103	CARBON RESISTOR	1/6W J 3.3K	
	R 390	GJ250084722103	CARBON RESISTOR	1/6W J 4.7K	
	R 391	GJ250081512103	CARBON RESISTOR	1/6W J 150	
	R 392	GJ250083322103	CARBON RESISTOR	1/6W J 3.3K	
	R 393	GJ250084722103	CARBON RESISTOR	1/6W J 4.7K	
	R 394	GJ250081512103	CARBON RESISTOR	1/6W J 150	
	R 399	GJ250081022103	CARBON RESISTOR	1/6W J 1K	
	R 401	GJ250081042103	CARBON RESISTOR	1/6W J 100K	
	R 402	GJ250086822103	CARBON RESISTOR	1/6W J 6.8K	
	R 403	GJ250089122103	CARBON RESISTOR	1/6W J 9.1K	
	R 404	GJ250081012103	CARBON RESISTOR	1/6W J 100	
	R 405	GJ250081532103	CARBON RESISTOR	1/6W J 15K	
	R 407	GJ250086832103	CARBON RESISTOR	1/6W J 68K	
	R 408	GJ250083322103	CARBON RESISTOR	1/6W J 3.3K	
	R 409	GJ250081542103	CARBON RESISTOR	1/6W J 150K	
	R 410	GJ250081222103	CARBON RESISTOR	1/6W J 1.2K	
	R 411	GJ250082222103	CARBON RESISTOR	1/6W J 2.2K	
	R 412	GJ250083322103	CARBON RESISTOR	1/6W J 3.3K	
	R 413	GJ250082232103	CARBON RESISTOR	1/6W J 22K	
	R 414	GJ250084722103	CARBON RESISTOR	1/6W J 4.7K	
	R 415	GJ250084732103	CARBON RESISTOR	1/6W J 47K	
	R 416	GJ250086822103	CARBON RESISTOR	1/6W J 6.8K	
	R 417	GJ250082232103	CARBON RESISTOR	1/6W J 22K	
	R 418	GJ250082222103	CARBON RESISTOR	1/6W J 2.2K	
	R 419	GJ250082222103	CARBON RESISTOR	1/6W J 2.2K	
	R 420	GJ250082222103	CARBON RESISTOR	1/6W J 2.2K	
	R 421	GJ250081822103	CARBON RESISTOR	1/6W J 1.8K	
	R 501	GJ250081042103	CARBON RESISTOR	1/6W J 100K	
	R 502	GJ250086822103	CARBON RESISTOR	1/6W J 6.8K	
	R 503	GJ250089122103	CARBON RESISTOR	1/6W J 9.1K	
	R 504	GJ250081012103	CARBON RESISTOR	1/6W J 100	
	R 505	GJ250081532103	CARBON RESISTOR	1/6W J 15K	
	R 507	GJ250086832103	CARBON RESISTOR	1/6W J 68K	
	R 508	GJ250083322103	CARBON RESISTOR	1/6W J 3.3K	
	R 509	GJ250081542103	CARBON RESISTOR	1/6W J 150K	
	R 510	GJ250081222103	CARBON RESISTOR	1/6W J 1.2K	
	R 511	GJ250082222103	CARBON RESISTOR	1/6W J 2.2K	
	R 512	GJ250083322103	CARBON RESISTOR	1/6W J 3.3K	
	R 513	GJ250082232103	CARBON RESISTOR	1/6W J 22K	
	R 514	GJ250084722103	CARBON RESISTOR	1/6W J 4.7K	
	R 515	GJ250084732103	CARBON RESISTOR	1/6W J 47K	
	R 516	GJ250086822103	CARBON RESISTOR	1/6W J 6.8K	
	R 517	GJ250082232103	CARBON RESISTOR	1/6W J 22K	
	R 518	GJ250082222103	CARBON RESISTOR	1/6W J 2.2K	
	R 519	GJ250082222103	CARBON RESISTOR	1/6W J 2.2K	

△	Item	Parts number	Parts name	Remarks	Area
	R 520	GJ250082222103	CARBON RESISTOR	1/6W J 2.2K	
	R 521	GJ250081822103	CARBON RESISTOR	1/6W J 1.8K	
	R9001	GJ250081022103	CARBON RESISTOR	1/6W J 1K	

■ Electrical parts list(Power transformer board) Block No. 09

△	Item	Parts number	Parts name	Remarks	Area
△	F 951	GJ369000500008	FUSE	250V 800MA	UP
△	F 951	GJ369000130004	FUSE	1.6A 250V	U,US,UT,
△	F 952	GJ369000130004	FUSE	1.6A 250V	
	FT951	GJ153321741	FUSE HOLDER	FOR TWO USE	
	FT952	GJ153321741	FUSE HOLDER	FOR TWO USE	
	FW951	GJ353090190107	CABLE FLAT	9PINS	
△	T 951	GJ336660130013	POWER TRANS.		
	TB901	GJ727000010000	SOLDERING		
	TB902	GJ727000010000	SOLDERING		

■ Electrical parts list(AC selector board U,US,UT,UY)Block No. 10

△	Item	Parts number	Parts name	Remarks	Area
△	F 953	GJ369000390004	FUSE	800MA 250V	
	FT953	GJ153321741	FUSE HOLDER	FOR TWO USE	
△	S 999	GJ390180043221	SW.VOLTAGE SELECTOR		

■ Electrical parts list(CD servo board)

Block No. 11

△	Item	Parts number	Parts name	Remarks	Area	△	Item	Parts number	Parts name	Remarks	Area
	C 251	NCS21HJ-100X	C CAPACITOR				CN651	QGF1016F1-19	CONNECTOR	MAIN	
	C 252	NCS21HJ-100X	C CAPACITOR				CN652	QGF1016F1-05	CONNECTOR	OSD	
	C 253	NCB21EK-104X	C CAPACITOR				CN653	QGF1016F1-13	CONNECTOR	CD TEXT	
	C 254	QERF1AM-476Z	E CAPACITOR	47MF 20% 10V			CN801	QGA2001C1-06	6P PLUG ASSY	TRAVERSE	
	C 255	NCB21EK-104X	C CAPACITOR				CN851	QGD2503F1-03	SOCKET	DISC DETECTION	
	C 281	NCB21HK-223X	C CAPACITOR				CN854	QGB2016K1-07	CONNECTOR	TRAY SWITCH	
	C 291	QERF1AM-476Z	E CAPACITOR	47MF 20% 10V			CN855	QGB2012K2-10	CONNECTOR	CAM SWITCH	
	C 601	NCB21HK-102X	C CAPACITOR				IC251	UPD78055GCA37	IC	MICOM	
	C 602	NCB21HK-102X	C CAPACITOR				IC601	AN8806SB-W	IC	RF AMP	
	C 603	NCB21HK-223X	C CAPACITOR				IC651	MN35510	IC	DSP & DAC	
	C 604	NCB21HK-223X	C CAPACITOR				IC801	BA6897FP-W	IC	PU DRIVE	
	C 605	NCS21HJ-271X	C CAPACITOR				IC851	TA8409S	IC	L MOTOR DRIVE	
	C 606	NCS21HJ-181X	C CAPACITOR				IC852	TA8409S	IC	R MOTOR DRIVE	
	C 607	NCB21HK-222X	C CAPACITOR				L 851	QQL01BK-100Z	INDUCTOR	VS DE-COUPLE	
	C 608	NCB21HK-223X	C CAPACITOR				L 853	QQL01BK-100Z	INDUCTOR	L MOTOR	
	C 610	NCB21EK-104X	C CAPACITOR				L 854	QQL01BK-100Z	INDUCTOR	R MOTOR	
	C 611	NCB21EK-104X	C CAPACITOR				Q 291	2SB1357/EF/-T	TRANSISTOR		
	C 612	QER41HM-105	E CAPACITOR	1.0MF 20% 50V			Q 631	2SA1037AK/RS/-X	TRANSISTOR		
	C 613	NCS21HJ-101X	C CAPACITOR				Q 842	DTA144ES-T	TRANSISTOR		
	C 614	NCB21HK-273X	C CAPACITOR				R 251	NRSA02J-102X	MG RESISTOR		
	C 615	NCB21HK-472X	C CAPACITOR				R 252	NRSA02J-102X	MG RESISTOR		
	C 616	NCB21HK-103X	C CAPACITOR				R 253	NRSA02J-102X	MG RESISTOR		
	C 617	NCS21HJ-331X	C CAPACITOR				R 254	NRSA02J-102X	MG RESISTOR		
	C 621	NCB21EK-104X	C CAPACITOR				R 255	NRSA02J-102X	MG RESISTOR		
	C 623	NCF21CZ-105X	C CAPACITOR				R 256	NRSA02J-102X	MG RESISTOR		
	C 624	QER41AM-107	E CAPACITOR	100MF 20% 10V			R 257	NRSA02J-102X	MG RESISTOR		
	C 631	QER41CM-106	E CAPACITOR	10MF 20% 16V			R 258	NRSA02J-102X	MG RESISTOR		
	C 632	NCF21CZ-105X	C CAPACITOR				R 259	NRSA02J-101X	MG RESISTOR		
	C 633	NCB21HK-223X	C CAPACITOR				R 260	NRSA02J-102X	MG RESISTOR		
	C 651	NCS21HJ-120X	C CAPACITOR				R 261	NRSA02J-102X	MG RESISTOR		
	C 652	NCS21HJ-150X	C CAPACITOR				R 262	NRSA02J-102X	MG RESISTOR		
	C 653	NCB21EK-104X	C CAPACITOR				R 263	NRSA02J-102X	MG RESISTOR		
	C 654	NCB21HK-223X	C CAPACITOR				R 264	NRSA02J-102X	MG RESISTOR		
	C 655	QER41AM-227	E CAPACITOR	220MF 20% 10V			R 265	NRSA02J-223X	MG RESISTOR		
	C 656	NCB21EK-104X	C CAPACITOR				R 266	NRSA02J-102X	MG RESISTOR		
	C 657	NCB21HK-222X	C CAPACITOR				R 267	NRSA02J-102X	MG RESISTOR		
	C 658	NCB21HK-222X	C CAPACITOR				R 268	NRSA02J-102X	MG RESISTOR		
	C 661	NCB21EK-104X	C CAPACITOR				R 269	NRSA02J-102X	MG RESISTOR		
	C 662	QER41AM-107	E CAPACITOR	100MF 20% 10V			R 274	NRSA02J-102X	MG RESISTOR		
	C 663	NCB21EK-104X	C CAPACITOR				R 275	NRSA02J-102X	MG RESISTOR		
	C 664	NCB21HK-223X	C CAPACITOR				R 276	NRSA02J-102X	MG RESISTOR		
	C 665	NCB21HK-223X	C CAPACITOR				R 277	NRSA02J-102X	MG RESISTOR		
	C 666	NCS21HJ-471X	C CAPACITOR				R 278	NRSA02J-102X	MG RESISTOR		
	C 667	NCF21CZ-105X	C CAPACITOR				R 279	NRSA02J-102X	MG RESISTOR		
	C 668	NCB21HK-473X	C CAPACITOR				R 281	NRSA02J-102X	MG RESISTOR		
	C 671	NCB21EK-104X	C CAPACITOR				R 282	NRSA02J-102X	MG RESISTOR		
	C 672	QER41AM-107	E CAPACITOR	100MF 20% 10V			R 283	NRSA02J-102X	MG RESISTOR		
	C 801	NCB21HK-822X	C CAPACITOR				R 284	NRSA02J-102X	MG RESISTOR		
	C 802	NCB21HK-152X	C CAPACITOR				R 285	NRSA02J-102X	MG RESISTOR		
	C 811	NCS21HJ-221X	C CAPACITOR				R 286	NRSA02J-102X	MG RESISTOR		
	C 812	NCS21HJ-221X	C CAPACITOR				R 287	NRSA02J-102X	MG RESISTOR		
	C 813	NCS21HJ-221X	C CAPACITOR				R 288	NRSA02J-102X	MG RESISTOR		
	C 814	NCS21HJ-221X	C CAPACITOR				R 291	NRSA02J-122X	MG RESISTOR		
	C 821	NCF21CZ-105X	C CAPACITOR				R 292	NRSA02J-103X	MG RESISTOR		
	C 822	QER41AM-227	E CAPACITOR	220MF 20% 10V			R 293	NRSA02J-102X	MG RESISTOR		
	C 851	QER41CM-106	E CAPACITOR	10MF 20% 16V			R 601	NRSA02J-274X	MG RESISTOR		
	C 852	QER41CM-106	E CAPACITOR	10MF 20% 16V			R 602	NRSA02J-154X	MG RESISTOR		
	C 855	NCB21EK-104X	C CAPACITOR				R 603	NRSA02J-273X	MG RESISTOR		
	C 859	NCF21CZ-105X	C CAPACITOR				R 604	NRSA02J-104X	MG RESISTOR		
	C 860	NCF21CZ-105X	C CAPACITOR				R 605	NRSA02J-154X	MG RESISTOR		
	CN151	QGF1016F1-15	15FFC CONNECTOR	VIDEO CD			R 606	NRSA02J-474X	MG RESISTOR		
	CN152	QGA2001F1-12	12P CN RIG	VIDEO CD			R 607	NRSA02J-102X	MG RESISTOR		
	CN601	QGF1016F1-15	15FFC CONNECTOR	TRAVERSE			R 611	NRSA02J-113X	MG RESISTOR		

■ Electrical parts list(CD servo board)

Block No. 11

△	Item	Parts number	Parts name	Remarks	Area
	R 612	NRSA02J-125X	MG RESISTOR		
	R 631	NRSA02J-2R2X	MG RESISTOR		
	R 632	NRSA02J-100X	MG RESISTOR		
	R 634	NRSA02J-120X	MG RESISTOR		
	R 635	NRSA02J-121X	MG RESISTOR		
	R 636	NRSA02J-910X	MG RESISTOR		
	R 651	NRSA02J-271X	MG RESISTOR		
	R 652	NRSA02J-220X	MG RESISTOR		
	R 657	NRSA02J-102X	MG RESISTOR		
	R 658	NRSA02J-102X	MG RESISTOR		
	R 661	NRSA02J-220X	MG RESISTOR		
	R 662	NRSA02J-471X	MG RESISTOR		
	R 663	NRSA02J-124X	MG RESISTOR		
	R 665	NRSA02J-683X	MG RESISTOR		
	R 666	NRSA02J-155X	MG RESISTOR		
	R 667	NRSA02J-562X	MG RESISTOR		
	R 671	NRSA02J-102X	MG RESISTOR		
	R 672	NRSA02J-102X	MG RESISTOR		
	R 673	NRSA02J-102X	MG RESISTOR		
	R 674	NRSA02J-101X	MG RESISTOR		
	R 675	NRSA02J-102X	MG RESISTOR		
	R 676	NRSA02J-102X	MG RESISTOR		
	R 677	NRSA02J-102X	MG RESISTOR		
	R 678	NRSA02J-102X	MG RESISTOR		
	R 679	NRSA02J-102X	MG RESISTOR		
	R 680	NRSA02J-102X	MG RESISTOR		
	R 681	NRSA02J-102X	MG RESISTOR		
	R 682	NRSA02J-102X	MG RESISTOR		
	R 683	NRSA02J-102X	MG RESISTOR		
	R 684	NRSA02J-271X	MG RESISTOR		
	R 685	NRSA02J-102X	MG RESISTOR		
	R 686	NRSA02J-101X	MG RESISTOR		
	R 687	NRSA02J-102X	MG RESISTOR		
	R 688	NRSA02J-101X	MG RESISTOR		
	R 689	NRSA02J-102X	MG RESISTOR		
	R 690	NRSA02J-101X	MG RESISTOR		
	R 691	NRSA02J-101X	MG RESISTOR		
	R 692	NRSA02J-101X	MG RESISTOR		
	R 693	NRSA02J-471X	MG RESISTOR		
	R 694	NRSA02J-102X	MG RESISTOR		
	R 801	NRSA02J-222X	MG RESISTOR		
	R 802	NRSA02J-472X	MG RESISTOR		
	R 803	NRSA02J-123X	MG RESISTOR		
	R 804	NRSA02J-154X	MG RESISTOR		
	R 805	NRSA02J-123X	MG RESISTOR		
	R 806	NRSA02J-223X	MG RESISTOR		
	R 807	NRSA02J-222X	MG RESISTOR		
	R 808	NRSA02J-223X	MG RESISTOR		
	R 811	NRSA02J-473X	MG RESISTOR		
	R 812	NRSA02J-223X	MG RESISTOR		
	R 831	NRSA02J-151X	MG RESISTOR		
	R 832	NRSA02J-103X	MG RESISTOR		
	R 842	NRSA02J-472X	MG RESISTOR		
	R 851	NRSA02J-102X	MG RESISTOR		
	R 852	NRSA02J-102X	MG RESISTOR		
	R 853	NRSA02J-102X	MG RESISTOR		
	R 854	NRSA02J-102X	MG RESISTOR		
	R 855	NRSA02J-102X	MG RESISTOR		
	R 856	NRSA02J-102X	MG RESISTOR		
	R 857	NRSA02J-272X	MG RESISTOR		
	R 859	NRSA02J-181X	MG RESISTOR		
	R 861	NRSA02J-102X	MG RESISTOR		
	R 862	NRSA02J-102X	MG RESISTOR		

△	Item	Parts number	Parts name	Remarks	Area
	R 863	NRSA02J-102X	MG RESISTOR		
	R 864	NRSA02J-102X	MG RESISTOR		
	R 865	NRSA02J-102X	MG RESISTOR		
	R 866	NRSA02J-102X	MG RESISTOR		
	R 880	NRSA02J-102X	MG RESISTOR		
	R 881	NRSA02J-102X	MG RESISTOR		
	R 882	NRSA02J-102X	MG RESISTOR		
	R 883	NRSA02J-102X	MG RESISTOR		
	R 884	NRSA02J-102X	MG RESISTOR		
	R 885	NRSA02J-102X	MG RESISTOR		
	R 886	NRSA02J-102X	MG RESISTOR		
	R 887	NRSA02J-102X	MG RESISTOR		
	W 601	QUB220-07HPDT	SIN TWIST WIRE	D.GND	
	X 251	QAX0360-001Z	CRYSTAL	FOR IC251	
	X 651	QAX0413-001Z	CRYSTAL	FOR IC651	

■ Electrical parts list(CD select switch board) Block No. 12

△	Item	Parts number	Parts name	Remarks	Area
	CN804	QGB2016J1-07	CONNECTOR		
	SW 1	QSW0859-001	DETECT SWITCH		
	SW 2	QSW0859-001	DETECT SWITCH		
	SW 3	QSW0859-001	DETECT SWITCH		
	SW 4	QSW0859-001	DETECT SWITCH		
	SW 5	QSW0859-001	DETECT SWITCH		
	SW 6	QSW0859-001	DETECT SWITCH		

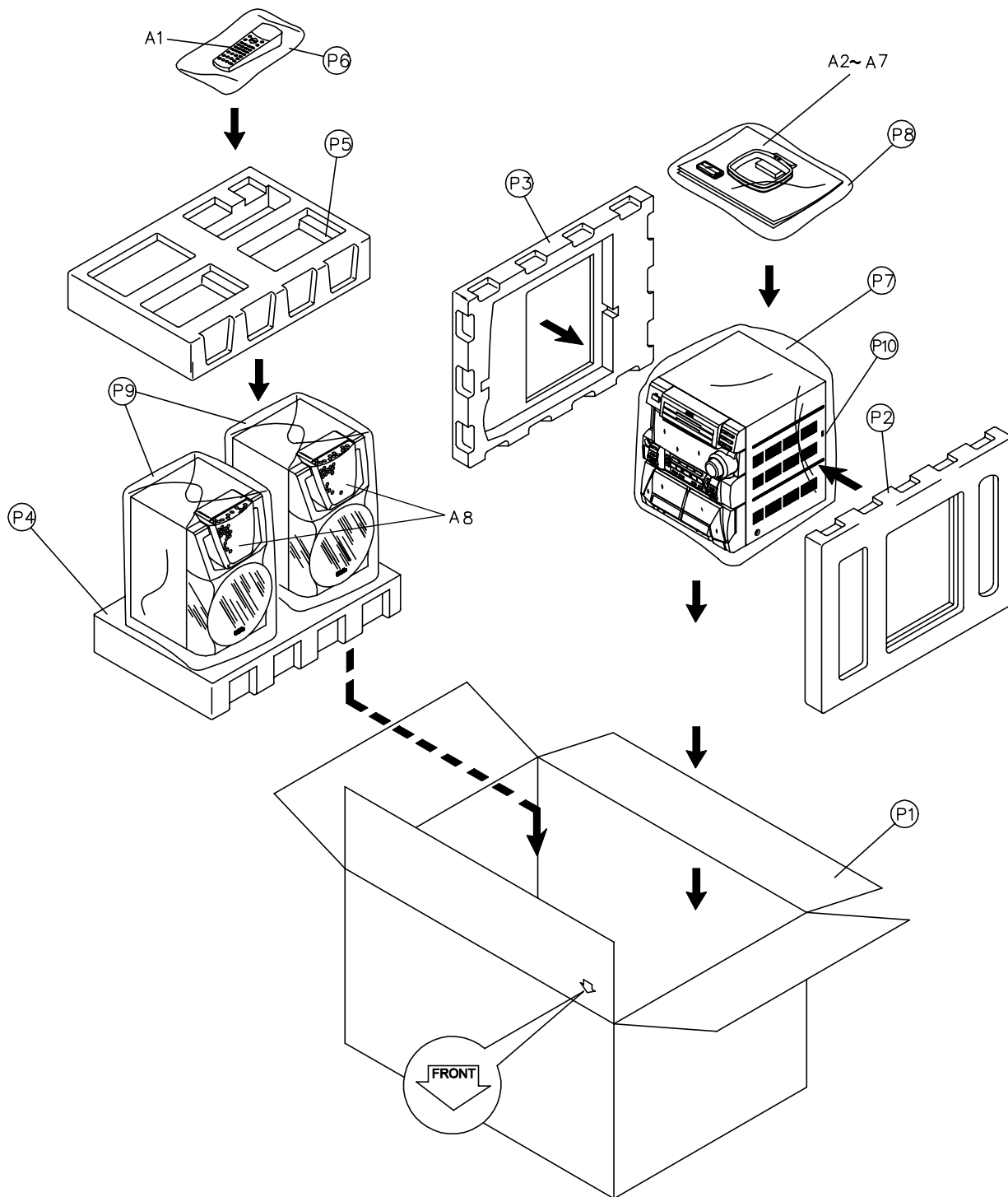
# Packing materials and accessories parts list

Block No. 

M	5	M	M
---	---	---	---

Block No. 

M	6	M	M
---	---	---	---



■ Parts list(Packing)

Block No. M5MM

△	Item	Parts number	Parts name	Q'ty	Description	Area
	P 1	GJ560450140101	CARTON	1		
	P 2	GJ560400120101	POLYFOAM RIGHT	1		
	P 3	GJ560400110101	POLYFOAM LEFT	1		
	P 4	GJ560400160101	POLYFOAM BOTTOM	1		
	P 5	GJ560400150101	POLYFOAM TOP	1		
	P 6	GJ740082550400	POLYBAG	1	REMOTE CONTROL	
	P 7	GJ740666420300	POLYBAG	1	SET	
	P 8	GJ740362550000	POLYBAG	1	INSTRUCTIONS	
	P 9	GJ740486230300	POLYBAG	2	SPEAKER BOX	
	P 10	GJ740122550000	POLYBAG	1	AC-POWER CORD	

■ Parts list(Accessories)

Block No. M6MM

△	Item	Parts number	Parts name	Q'ty	Description	Area
	A 1	RM-SMXJ10/U/	REMOTE CONTROL	1		
	A 2	GJ460220010201	LOOP ANTENNA	1		
	A 3	-----	BATTERY	1		
	A 4	GJ773012330101	INSTRUCTIONS	1	ENG,SPA,POR,CHI,ARA	U,US,UT,UY
		GJ773012440101	INSTRUCTIONS	1	KOR	UP
	A 5	GJ351001402431	ANTENNA WIRE	1		
	A 6	GJ773030400101	WARRANTY CARD	1		UP
	A 7	ENZ2203-001	PLUG CONVERSION	1		UT
		ENZ2202-001	PLUG CONVERSION	1		U,US
	A 8	MXJ200K-SPBOX	SPEAKER BOX	2	(PAIR)L&R	